



by HARMAN®

# STAGE1 SPEAKERS



Stage1 62

Stage1 42F

Stage1 62F

Stage1 52F

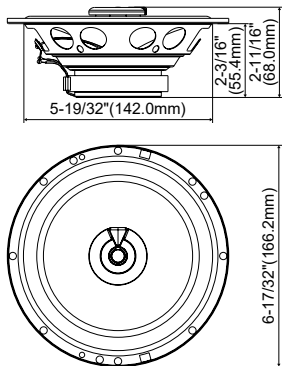
Stage1 62CF

Stage1 192T

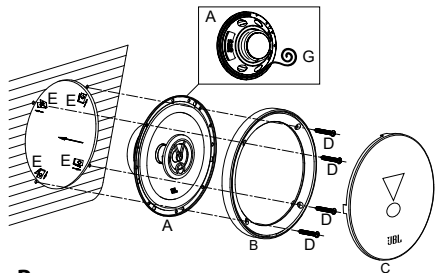
Stage1 962M

# Stage1 62

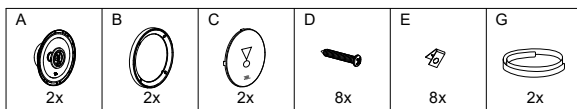
## Dimension



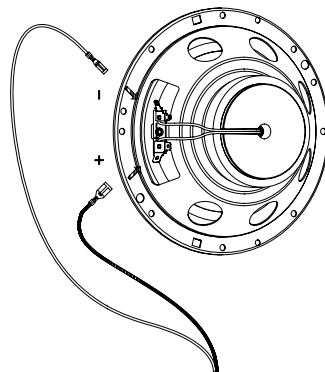
## Installation



## What's in the Box



## Connection



## Specifications

- Speaker: 6-1/2" (165mm) Coaxial Car Speaker with Grille
- Power Handling: \*50W RMS, 400W peak
- Sensitivity (@2.83V): 89dB
- Frequency Response: 55Hz – 20kHz
- Nominal Impedance: 4ohm

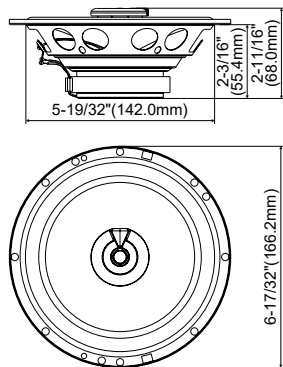
## Thiele-Small Parameters

- BL (Tm): 3.097
- DCR (Ohms): 3.25
- Mms (g): 11.25
- Sd (cm<sup>2</sup>): 132.73
- Cms (um/N): 382
- Vas (L): 9.515
- Fs (Hz): 76.8
- Qes: 1.841
- Qms: 8.749
- Qts: 1.521
- Crossover Point: 5200Hz

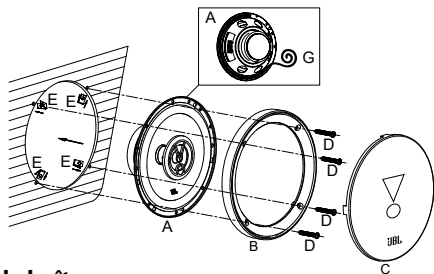
\*50W RMS: Long-term maximum power refer to IEC 60268  
25W RMS: 100H continuous testing at rated power refers to IEC 60268

# Stage1 62

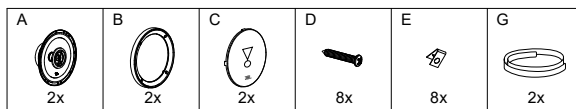
## Dimensions



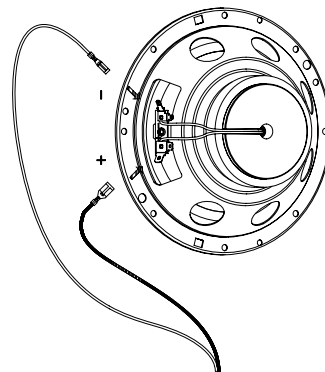
## Installation



## Contenu de la boîte



## Connexion



## Caractéristiques

- Haut-parleur : Haut-parleur de voiture coaxial de 6-1/2" (165 mm) avec grille
- Puissance admissible : \*50 W RMS, 400 W crête
- Sensibilité (à 2,83 V) : 89 dB
- Réponse en fréquence : 55 Hz – 20 kHz
- Impédance nominale : 4 ohms

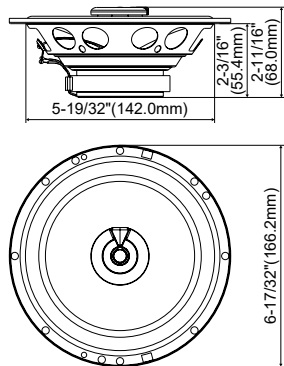
## Paramètres de Thiele-Small

- BL (Tm) : 3.097
- DCR (Ohms) : 3.25
- Mms (g) : 11.25
- Sd (cm<sup>2</sup>) : 132.73
- Cms (um/N) : 382
- Vas (L) : 9.515
- Fs (Hz) : 76.8
- Qes : 1.841
- Qms : 8.749
- Qts : 1.521
- Point de croisement : 5200Hz

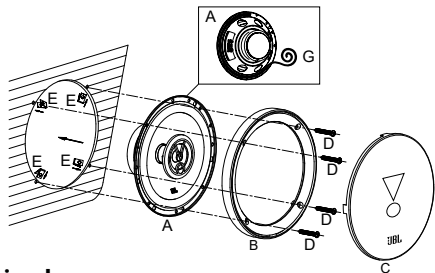
\*50W RMS : La puissance maximale à long terme se réfère à IEC 60268  
25W RMS : Le test continu 100h à puissance nominale se réfère à IEC 60268

# Stage1 62

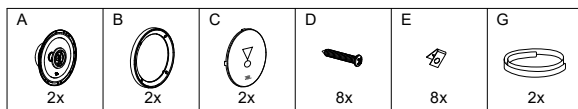
## Mål



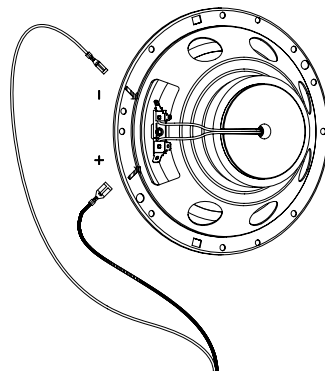
## Installation



## Hvad er der i æsken



## Forbindelse



## Specifikationer

- Højttaler: 6-1/2" (165 mm) koaksial bilhøjttaler med gitter
- Effekthåndtering: \*50 W RMS, 400 W spidsbelastning
- Følsomhed (ved 2,83V): 89 dB
- Frekvensområde: 55 Hz – 20 kHz
- Nominel impedans: 4 ohm

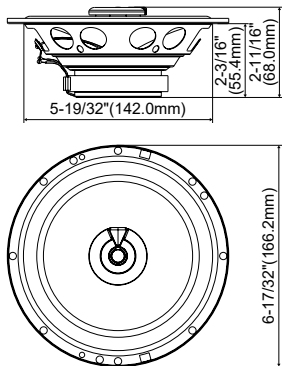
## Thiele-Small-parametre

- BL (Tm): 3.097
- DCR (ohm): 3.25
- Mms (g): 11.25
- Sd (cm<sup>2</sup>): 132.73
- Cms (um/N): 382
- Vas (L): 9.515
- Fs (Hz): 76.8
- Qes: 1.841
- Qms: 8.749
- Qts: 1.521
- Overgangspunkt: 5200Hz

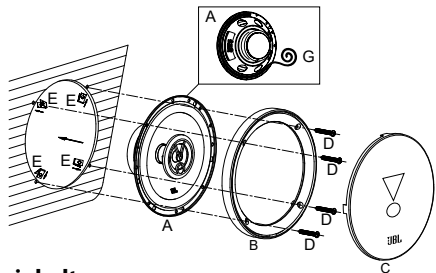
\*50W RMS: Maksimal effekt på lang sigt i henhold til IEC 60268  
25W RMS: 100 timers kontinuerlig test ved nominal effekt refererer til IEC 60268

# Stage1 62

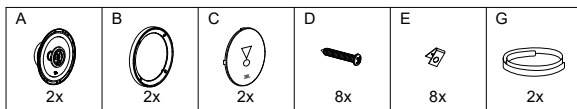
## Abmessungen



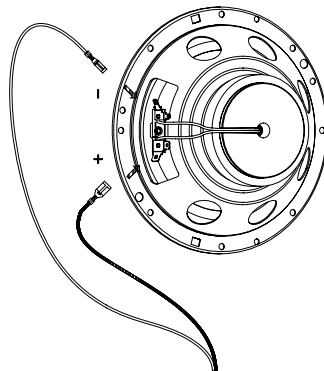
## Installation



## Verpackungsinhalt



## Verbindung



## Technische Daten

- Lautsprecher: 6-1/2 Zoll (165 mm)  
Koaxial-Autolautsprecher mit Grill
- Belastbarkeit: \*50W (eff), 400W (Spitze)
- Empfindlichkeit (bei 2,83 V): 89 dB
- Frequenzgang: 55 Hz – 20 kHz
- Nennimpedanz: 4 Ohm

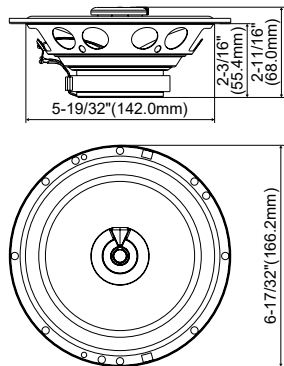
## Thiele-Small-Parameter

- BL (Tm): 3.097
- DCR (Ohm): 3.25
- Mms (g): 11.25
- Sd (cm<sup>2</sup>): 132.73
- Cms (µm/N): 382
- Vas (L): 9.515
- Fs (Hz): 76.8
- Qes: 1.841
- Qms: 8.749
- Qts: 1.521
- Crossover-Punkt: 5200Hz

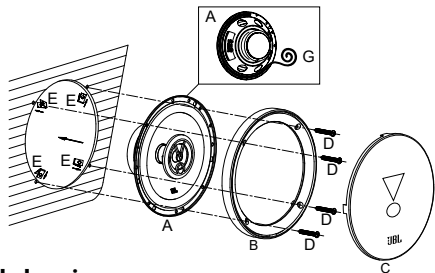
\*50W RMS: Langfristig maximale Leistung gemäß IEC 60268  
25W RMS: 100 Stunden Dauertest bei Nennleistung gemäß IEC 60268

# Stage1 62

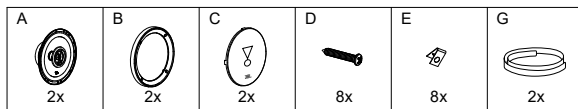
## Dimensiones



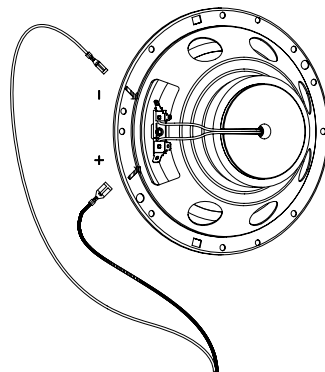
## Instalación



## Contenido de la caja



## Conexión



## Especificaciones

- Altavoz: Altavoces coaxiales de 6-1/2" (165 mm) con rejilla para coche
- Capacidad de potencia: \*50 W RMS, 400 W pico
- Sensibilidad (2,83 V): 89 dB
- Respuesta en frecuencia: 55 Hz - 20 kHz
- Impedancia nominal: 4 ohmios

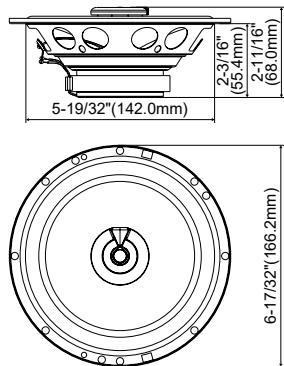
## Parámetros Thiele-Small

- BL (Tm): 3.097
- DCR (Ohms): 3.25
- Mms (g): 11.25
- Sd (cm<sup>2</sup>): 132.73
- Cms (um/N): 382
- Vas (L): 9.515
- Fs (Hz): 76.8
- Qes: 1.841
- Qms: 8.749
- Qts: 1.521
- Punto de corte de frecuencia: 5200Hz

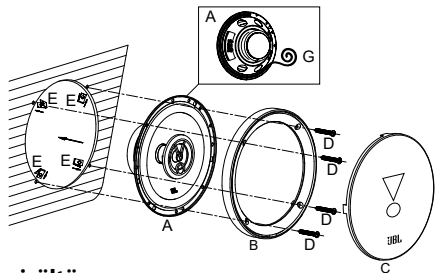
\*50W RMS: Potencia máxima a largo plazo según la normativa IEC 60268  
25W RMS: Prueba continua de 100 horas a potencia nominal según la normativa IEC 60268

# Stage1 62

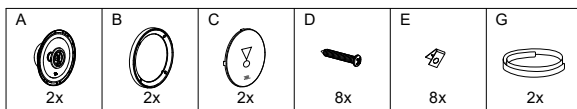
## Mitat



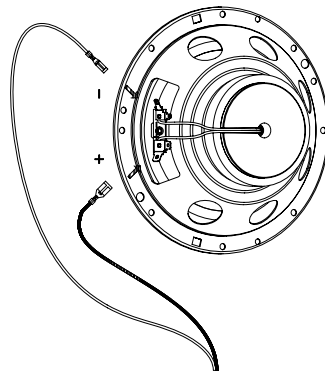
## Asennus



## Pakkauksen sisältö



## Liitäntä



## Tekniset tiedot

- Kaiutin: 6-1/2" (165 mm) koaksiaalinen autokaiutin ritilällä
- Tehonkesto: \*50W RMS, 400W huippu
- Herkkyys (@2,83 V): 89dB
- Taajuusvaste: 55Hz – 20 kHz
- Nimellisimpedanssi: 4 ohmia

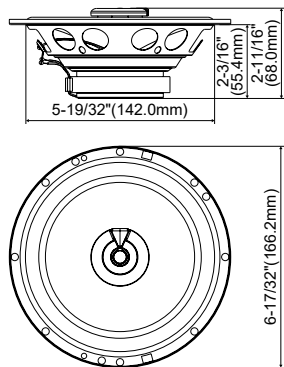
## Thiele-Small-parametrit

- BL (Tm): 3.097
- DCR (Ohmia): 3.25
- Mms (g): 11.25
- Sd (cm<sup>2</sup>): 132.73
- Cms (um/N): 382
- Vas (L): 9.515
- Fs (Hz): 76.8
- Qes: 1.841
- Qms: 8.749
- Qts: 1.521
- Crossover-kohta: 5200Hz

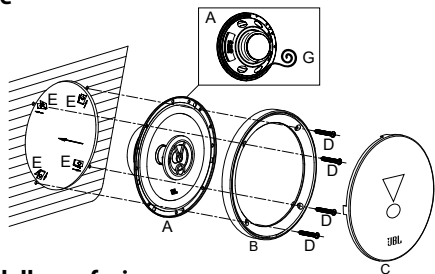
\*50W RMS: Pitkäaikainen enimmäisteho on IEC 60268:n mukainen  
25W RMS: 100h jatkuva testaus nimellisteholla viittaa standardiin IEC 60268

# Stage1 62

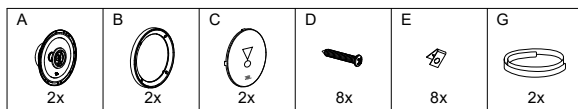
## Dimensioni



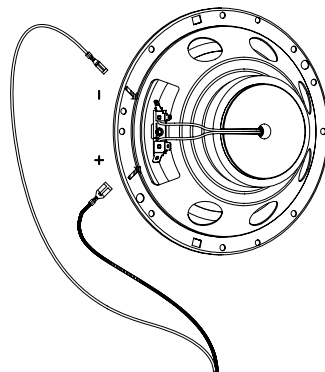
## Installazione



## Contenuto della confezione



## Collegamento



## Specifiche

- Altoparlante: Altoparlante coassiale per auto da 6-1/2" (165 mm), con griglia
- Capacità di gestione della potenza: \*50 W RMS, 400 W picco
- Sensibilità (a 2,83V): 89 dB
- Risposta in frequenza: 55Hz - 20kHz
- Impedenza nominale: 4 ohm

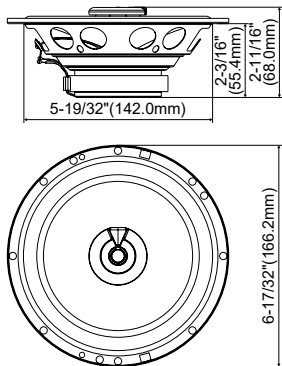
## Thiele-Small Parameters

- BL (Tm): 3.097
- DCR (Ohm): 3.25
- Mms (g): 11.25
- Sd (cm<sup>2</sup>): 132.73
- Cms (um/N): 382
- Vas (L): 9.515
- Fs (Hz): 76.8
- Qes: 1.841
- Qms: 8.749
- Qts: 1.521
- Punto di crossover: 5200Hz

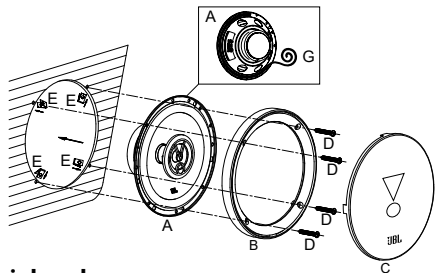
\*50W RMS: La potenza massima a lungo termine fa riferimento alla norma IEC 60268  
25W RMS: Il test continuo di 100 ore alla potenza nominale fa riferimento alla norma IEC 60268

# Stage1 62

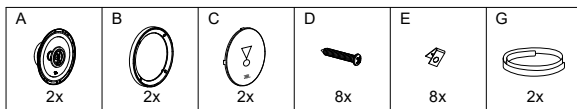
## Afmetingen



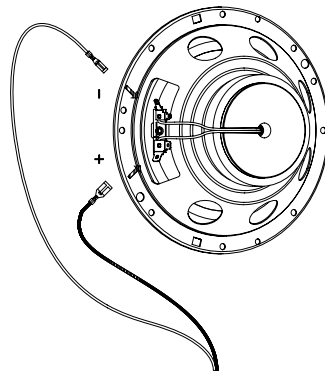
## Installatie



## Verpakking inhoud



## Verbinding



## Specificaties

- Luidspreker: 165 mm (6-1/2 inch) coaxiale autoluidspreker met rooster
- Vermogen: \*50 W RMS, 400 W piek
- Gevoeligheid (2,83 V): 89 dB
- Frequentierespons: 55 Hz – 20 kHz
- Nominale impedantie: 4 ohm

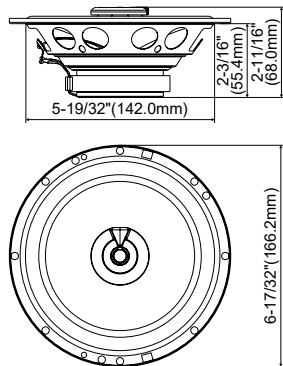
## Thiele-kleine parameters

- BL (Tm): 3.097
- DCR (Ohms): 3.25
- Mms (g): 11.25
- Sd (cm<sup>2</sup>): 132.73
- Cms (um/N): 382
- Vas (L): 9.515
- Fs (Hz): 76.8
- Qes: 1.841
- Qms: 8.749
- Qts: 1.521
- Crossover Point: 5200Hz

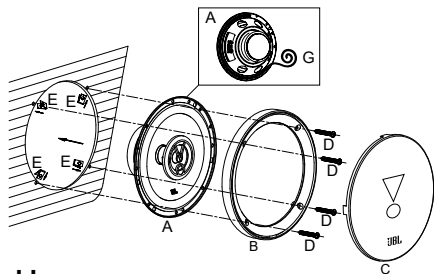
\*50W RMS: Maximaal vermogen op lange termijn zie IEC 60268  
25W RMS: 100H continu testen bij nominaal vermogen verwijst naar IEC 60268

# Stage1 62

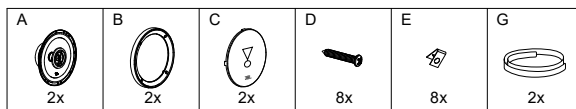
## Mål



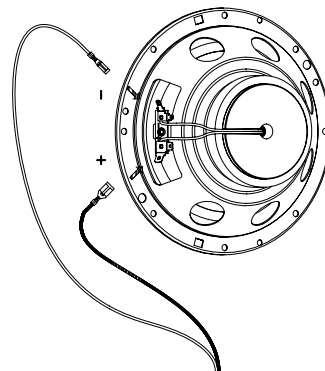
## Installering



## Eskens innhold



## Tilkobling



## Spesifikasjoner

- Høyttaler: 6-1/2" (165 mm) Koaksial bilhøyttaler med gitter
- Effekthåndtering: \*50 W RMS, 400 W topp
- Følsomhet (@2,83 V): 89 dB
- Frekvensrespons: 55 Hz – 20 kHz
- Nominell impedans: 4ohms

## Thiele-Small-parametre

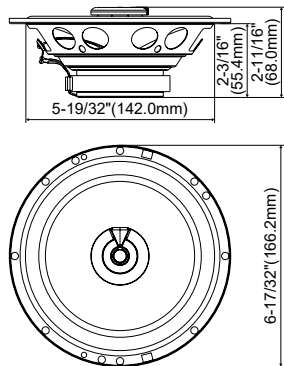
- BL (Tm): 3.097
- DCR (Ohms): 3.25
- Mms (g): 11.25
- Sd (cm<sup>2</sup>): 132.73
- Cms (um/N): 382
- Vas (L): 9.515
- Fs (Hz): 76.8
- Qes: 1.841
- Qms: 8.749
- Qts: 1.521
- Krysspunkt: 5200Hz

\*50W RMS: Maksimal effekt over lang tid henviser til IEC 60268

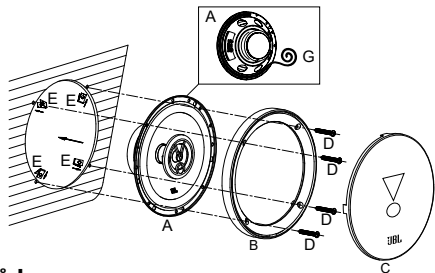
25W RMS: 100 H kontinuerlig testing ved nominell effekt henviser til IEC 60268

# Stage1 62

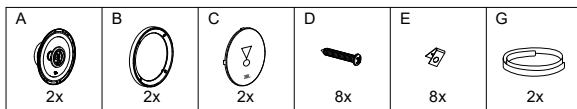
## Mått



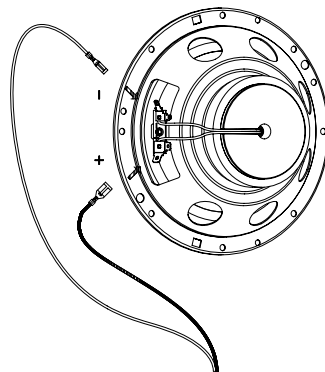
## Installation



## Vad finns i lådan



## Anslutning



## Specifikationer

- Högtalare: 6 1/2-tums (165 mm) koaxial bilhögtalare med galler
- Effekthantering: \*50 W RMS, 400 W max
- Känslighet (2,83 V): 89 dB
- Frekvensåtergivning: 55 Hz–20 kHz
- Nominell impedans: 4 ohm

## Thiele-små parametrar

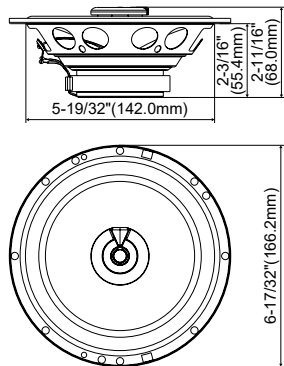
- Bl (Tm): 3.097
- DCR (ohm): 3.25
- Mms (g): 11.25
- Sd (cm<sup>2</sup>): 132.73
- Cms (um/N): 382
- Vas (L): 9.515
- Fs (Hz): 76.8
- Qes: 1.841
- Qms: 8.749
- Qts: 1.521
- Delningsfrekvens: 5200Hz

\*50W RMS: Långsiktig maximal effekt enligt IEC 60268

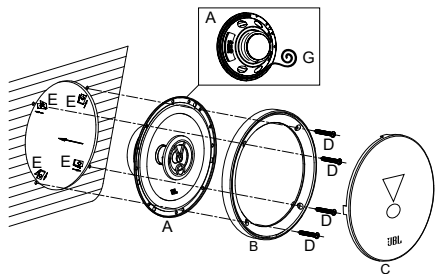
25W RMS: 100H kontinuerlig testning vid nominell effekt refererar till IEC 60268

# Stage1 62

## 尺寸



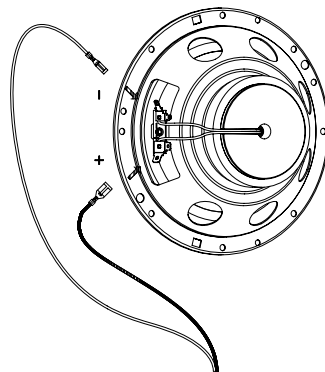
## 安装



## 产品清单

A	B	C	D	E	G
2x	2x	2x	8x	8x	2x

## 连接



## 参数规格

- 扬声器：6.5" (165mm) 同轴车载扬声器（有网罩）
- 功率处理能力：\*50W RMS（峰值为400W）
- 灵敏度 (@2.83V)：89dB
- 频率响应：55Hz - 20kHz
- 标称阻抗：4Ω

## Thiele-Small 参数

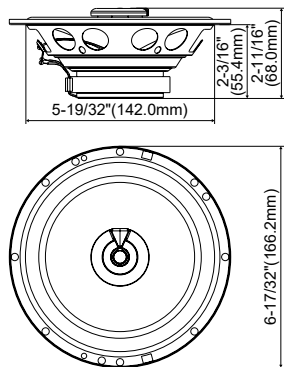
- BL (Tm): 3.097
- DCR (Ohms): 3.25
- Mms (g): 11.25
- Sd (cm<sup>2</sup>): 132.73
- Cms (um/N): 382
- Vas (L): 9.515
- Fs (Hz): 76.8
- Qes: 1.841
- Qms: 8.749
- Qts: 1.521
- 分频点: 5200Hz

\*50W RMS: 参照 IEC 60268 标准的长期最大功率

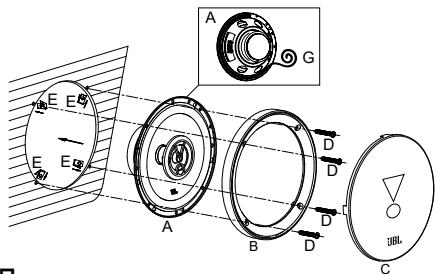
25W RMS: 参照 IEC 60268 标准, 在额定功率下连续测试 100 小时

# Stage1 62

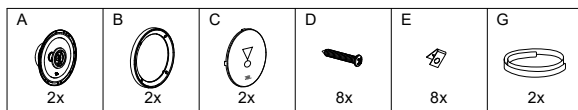
## 尺寸



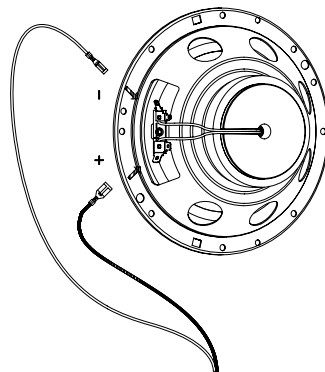
## 安裝



## 包裝盒內物品



## 連接



## 規格

- 喇叭：6-1/2" (165mm) 同軸車載喇叭，附網罩
- 功率處理：\*50W RMS，400W 峰值
- 靈敏度 (@2.83V)：89dB
- 頻率回應：55 Hz – 20 kHz
- 標稱阻抗：4ohms

## Thiele-Small 參數

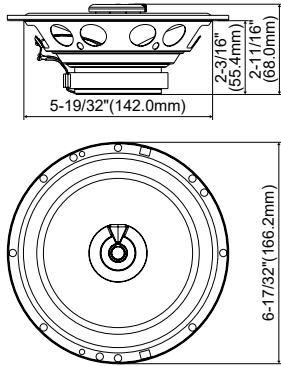
- BL (Tm): 3.097
- DCR (歐姆)：3.25
- Mms (g): 11.25
- Sd (cm<sup>2</sup>): 132.73
- Cms (um/N): 382
- Vas (L): 9.515
- Fs (Hz): 76.8
- Qes: 1.841
- Qms: 8.749
- Qts: 1.521
- 分頻點：5200Hz

\*50W RMS: 長期最大功率，請參考 IEC 60268

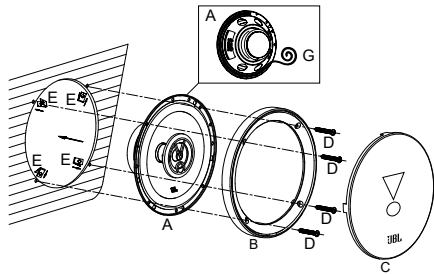
25W RMS: 於額定功率下進行 100H 持續測試，請參考 IEC 60268

# Stage1 62

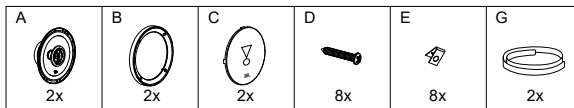
## Dimensi



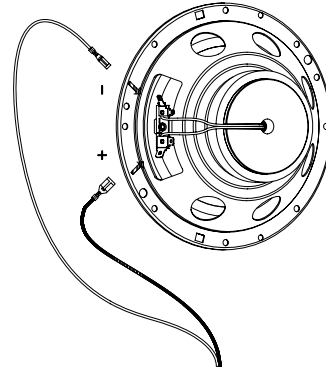
## Instalasi



## Isi kotak



## Sambungan



## Spesifikasi

- Speaker: Speaker Mobil Koaksial 6-1/2" (165mm) dengan Gril
- Penanganan Daya: \*50 W RMS, 400 W puncak
- Sensitivitas (@2,83V): 89 dB
- Respons Frekuensi: 55 Hz – 20 kHz
- Impedansi Nominal: 4 ohm

## Parameter Thiele-Small

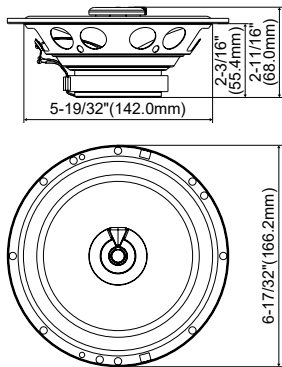
- BL (Tm): 3.097
- DCR (Ohm): 3.25
- Mms (g): 11.25
- Sd (cm<sup>2</sup>): 132.73
- Cms (um/N): 382
- Vas (L): 9.515
- Fs (Hz): 76.8
- Qes: 1.841
- Qms: 8.749
- Qts: 1.521
- Titik Crossover: 5200Hz

\*50W RMS: Daya maksimum jangka panjang merujuk pada IEC 60268

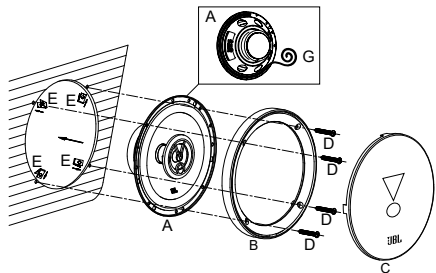
25W RMS: Pengujian terus-menerus selama 100 jam pada daya terukur merujuk pada IEC 60268

# Stage1 62

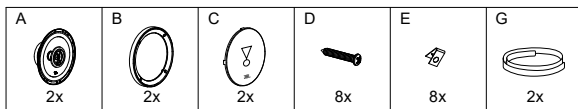
## 치수



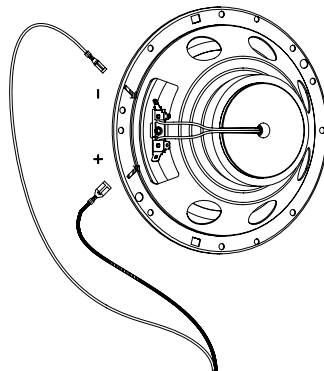
## 설치



## 구성품



## 연결



## 사양

- 스피커: 6-1/2인치(165mm) 동축 차량 스피커(그릴 포함)
- 파워 핸들링: \*50W RMS, 최대 400W
- 민감도(@2.83V): 89dB
- 주파수 응답: 55Hz~20kHz
- 공칭 임피던스: 4ohms

## 틸스몰 파라미터

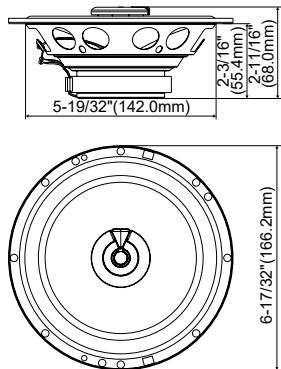
- BL (Tm): 3.097
- DCR (Ω): 3.25
- Mms (g): 11.25
- Sd (cm<sup>2</sup>): 132.73
- Cms (um/N): 382
- Vas (L): 9.515
- Fs (Hz): 76.8
- Qes: 1.841
- Qms: 8.749
- Qts: 1.521
- 크로스오버 포인트: 5200Hz

\*50W RMS: 장기 최대 출력은 IEC 60268을 참조합니다

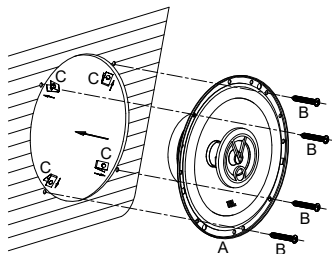
25W RMS: 정격 전력에서의 100H 연속 테스트는 IEC 60268을 참조합니다

# Stage1 62F

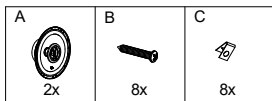
## Dimension



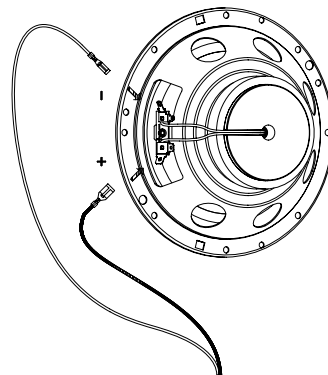
## Installation



## What's in the Box



## Connection



## Specifications

- Speaker: 6-1/2" (165mm) Coaxial Car Speaker without Grille
- Power Handling: \*50W RMS, 400W peak
- Sensitivity (@2.83V): 89dB
- Frequency Response: 55Hz – 20kHz
- Nominal Impedance: 4ohm

## Thiele-Small Parameters

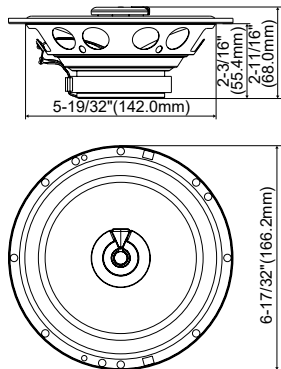
- BL (Tm): 3.097
- DCR (Ohms): 3.25
- Mms (g): 11.25
- Sd (cm<sup>2</sup>): 132.73
- Cms (um/N): 382
- Vas (L): 9.515
- Fs (Hz): 76.8
- Qes: 1.841
- Qms: 8.749
- Qts: 1.521
- Crossover Point: 5200Hz

\*50W RMS: Long-term maximum power refer to IEC 60268

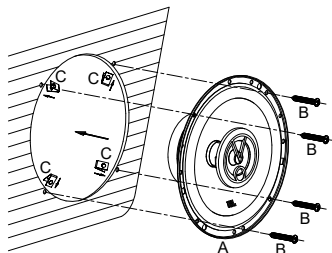
25W RMS: 100H continuous testing at rated power refers to IEC 60268

# Stage1 62F

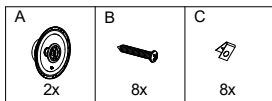
## Dimensions



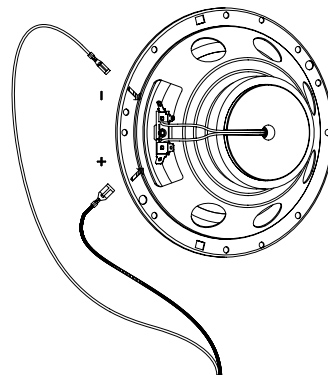
## Installation



## Contenu de la boîte



## Connexion



## Caractéristiques

- Haut-parleur : Haut-parleur de voiture coaxial de 6-1/2" (165 mm) sans grille
- Puissance admissible : \*50 W RMS, 400 W crête
- Sensibilité (à 2,83 V) : 89 dB
- Réponse en fréquence : 55 Hz – 20 kHz
- Impédance nominale : 4 ohms

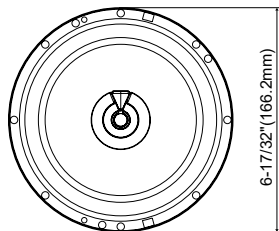
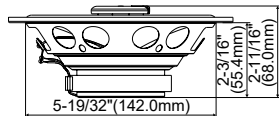
## Paramètres de Thiele-Small

- BL (Tm) : 3.097
- DCR (Ohms) : 3.25
- Mms (g) : 11.25
- Sd (cm<sup>2</sup>) : 132.73
- Cms (um/N) : 382
- Vas (L) : 9.515
- Fs (Hz) : 76.8
- Qes : 1.841
- Qms : 8.749
- Qts : 1.521
- Point de croisement : 5200Hz

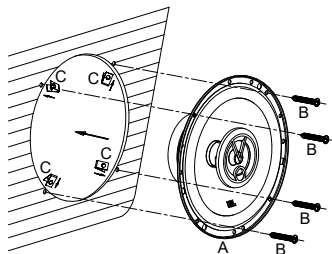
\*50W RMS : La puissance maximale à long terme se réfère à IEC 60268  
25W RMS : Le test continu 100H à puissance nominale se réfère à IEC 60268

# Stage1 62F

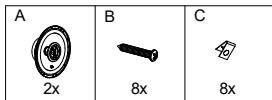
## Mål



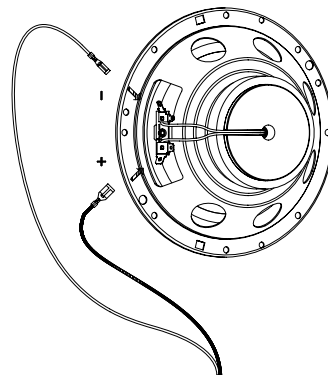
## Installation



## Hvad er der i æsken



## Forbindelse



## Specifikationer

- Højttaler: 6-1/2" (165 mm) Koaksial bilhøttaler uten gitter
- Effekthåndtering: \*50 W RMS, 400 W spidsbelastning
- Følsomhed (ved 2,83V): 89 dB
- Frekvensområde: 55 Hz – 20 kHz
- Nominel impedans: 4 ohm

## Thiele-Small-parametre

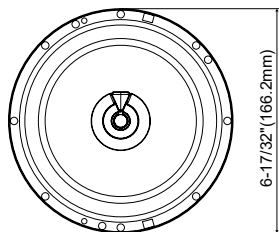
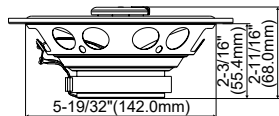
- BL (Tm): 3.097
- DCR (ohm): 3.25
- Mms (g): 11.25
- Sd (cm<sup>2</sup>): 132.73
- Cms (um/N): 382
- Vas (L): 9.515
- Fs (Hz): 76.8
- Qes: 1.841
- Qms: 8.749
- Qts: 1.521
- Overgangspunkt: 5200Hz

\*50W RMS: Maksimal effekt på lang sigt i henhold til IEC 60268

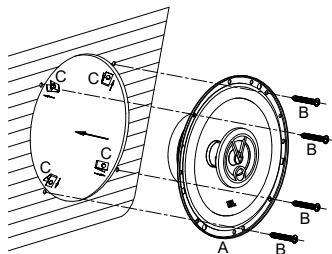
25W RMS: 100 timers kontinuerlig test ved nominal effekt refererer til IEC 60268

# Stage1 62F

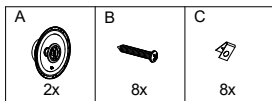
## Abmessungen



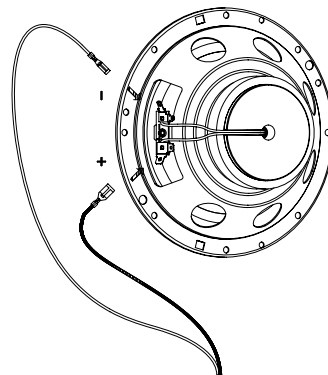
## Installation



## Verpackungsinhalt



## Verbindung



## Technische Daten

- Lautsprecher: 6-1/2 Zoll (165 mm)  
Koaxial-Autolautsprecher ohne Grill
- Belastbarkeit: \*50W (eff), 400W (Spitze)
- Empfindlichkeit (bei 2,83 V): 89 dB
- Frequenzgang: 55 Hz – 20 kHz
- Nennimpedanz: 4 Ohm

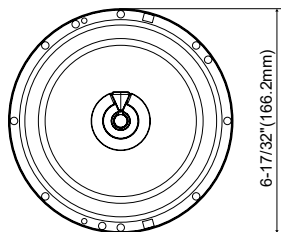
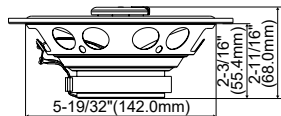
## Thiele-Small-Parameter

- BL (Tm): 3.097
- DCR (Ohm): 3.25
- Mms (g): 11.25
- Sd (cm<sup>2</sup>): 132.73
- Cms (µm/N): 382
- Vas (L): 9.515
- Fs (Hz): 76.8
- Qes: 1.841
- Qms: 8.749
- Qts: 1.521
- Crossover-Punkt: 5200Hz

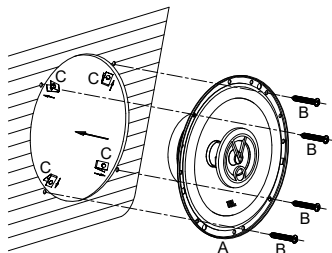
\*50W RMS: Langfristig maximale Leistung gemäß IEC 60268  
25W RMS: 100 Stunden Dauertest bei Nennleistung gemäß IEC 60268

# Stage1 62F

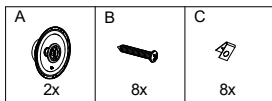
## Dimensiones



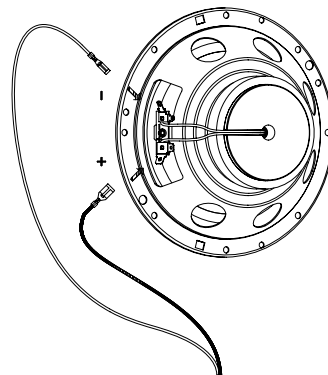
## Instalación



## Contenido de la caja



## Conexión



## Especificaciones

- Altavoz: Altavoces coaxiales de 6-1/2" (165 mm) sin rejilla para coche
- Capacidad de potencia: \*50 W RMS, 400 W pico
- Sensibilidad (2,83 V): 89 dB
- Respuesta en frecuencia: 55 Hz - 20 kHz
- Impedancia nominal: 4 ohmios

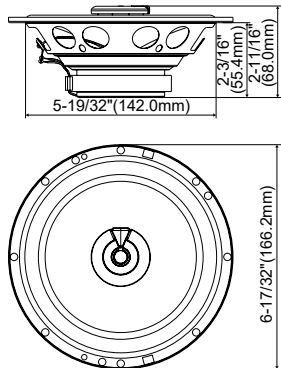
## Parámetros Thiele-Small

- BL (Tm): 3.097
- DCR (Ohms): 3.25
- Mms (g): 11.25
- Sd (cm<sup>2</sup>): 132.73
- Cms (um/N): 382
- Vas (L): 9.515
- Fs (Hz): 76.8
- Qes: 1.841
- Qms: 8.749
- Qts: 1.521
- Punto de corte de frecuencia: 5200Hz

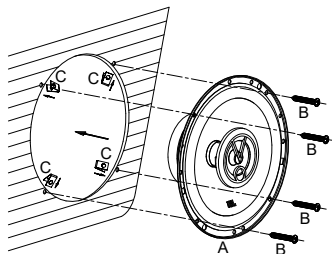
\*50W RMS: Potencia máxima a largo plazo según la normativa IEC 60268  
25W RMS: Prueba continua de 100 horas a potencia nominal según la normativa IEC 60268

# Stage1 62F

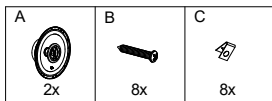
## Mitat



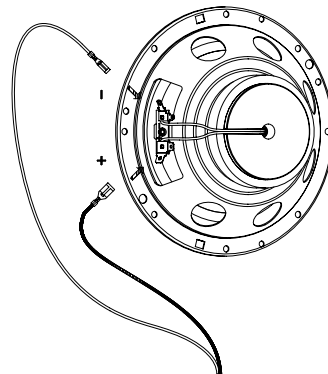
## Asennus



## Pakkauksen sisältö



## Liitäntä



## Tekniset tiedot

- Kaiutin: 6-1/2" (165 mm) ritilätön koaksiaalinen autokaiutin
- Tehonkesto: \*50W RMS, 400W huippu
- Herkkyys (@2,83 V): 89dB
- Taajuusvaste: 55Hz – 20 kHz
- Nimellisimpedanssi: 4 ohmia

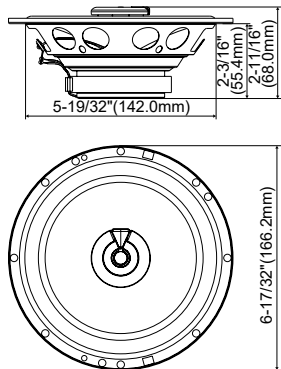
## Thiele-Small-parametrit

- BL (Tm): 3.097
- DCR (Ohmia): 3.25
- Mms (g): 11.25
- Sd (cm<sup>2</sup>): 132.73
- Cms (um/N): 382
- Vas (L): 9.515
- Fs (Hz): 76.8
- Qes: 1.841
- Qms: 8.749
- Qts: 1.521
- Crossover-kohta: 5200Hz

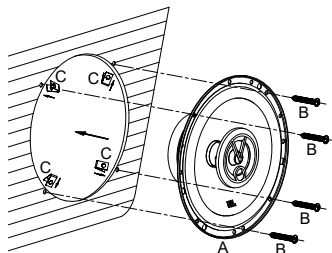
\*50W RMS: Pitkäaikainen enimmäisteho on IEC 60268:n mukainen  
25W RMS: 100h jatkuva testaus nimellisteholla viittaa standardiin IEC 60268

# Stage1 62F

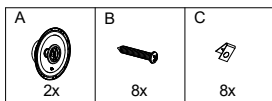
## Dimensioni



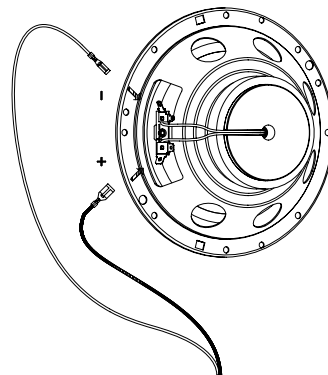
## Installazione



## Contenuto della confezione



## Collegamento



## Specifiche

- Altoparlante: Altoparlante coassiale per auto da 6-1/2" (165 mm), senza griglia
- Capacità di gestione della potenza: \*50 W RMS, 400 W picco
- Sensibilità (a 2,83V): 89 dB
- Risposta in frequenza: 55Hz - 20kHz
- Impedenza nominale: 4 ohm

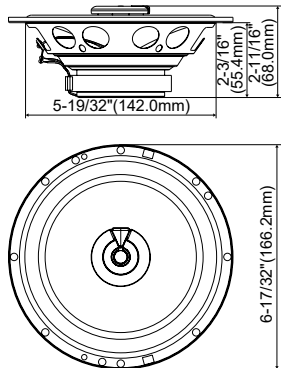
## Thiele-Small Parameters

- BL (Tm): 3.097
- DCR (Ohm): 3.25
- Mms (g): 11.25
- Sd (cm<sup>2</sup>): 132.73
- Cms (um/N): 382
- Vas (L): 9.515
- Fs (Hz): 76.8
- Qes: 1.841
- Qms: 8.749
- Qts: 1.521
- Punto di crossover: 5200Hz

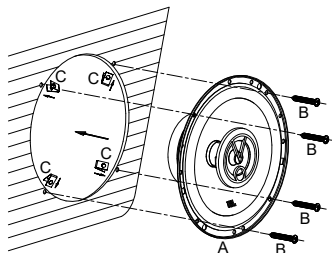
\*50W RMS: La potenza massima a lungo termine fa riferimento alla norma IEC 60268  
25W RMS: Il test continuo di 100 ore alla potenza nominale fa riferimento alla norma IEC 60268

# Stage1 62F

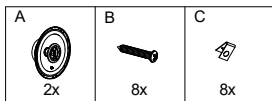
## Afmetingen



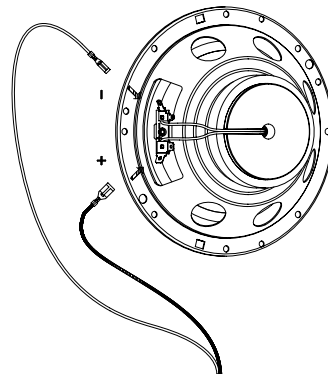
## Installatie



## Verpakkingsinhoud



## Verbinding



## Specificaties

- Luidspreker: 165 mm (6-1/2 inch) coaxiale autoluidspreker zonder rooster
- Vermogen: \*50 W RMS, 400 W piek
- Gevoeligheid (2,83 V): 89 dB
- Frequentierespons: 55 Hz – 20 kHz
- Nominale impedantie: 4 ohm

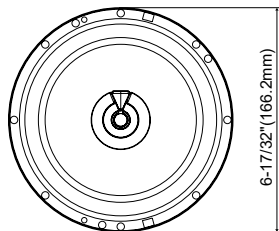
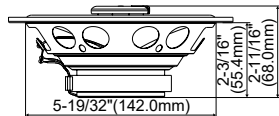
## Thiele-kleine parameters

- BL (Tm): 3.097
- DCR (Ohms): 3.25
- Mms (g): 11.25
- Sd (cm<sup>2</sup>): 132.73
- Cms (um/N): 382
- Vas (L): 9.515
- Fs (Hz): 76.8
- Qes: 1.841
- Qms: 8.749
- Qts: 1.521
- Crossover Point: 5200Hz

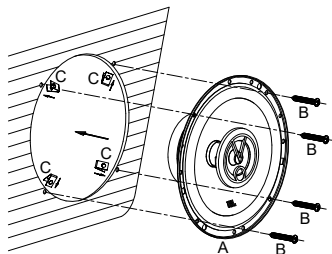
\*50W RMS: Maximaal vermogen op lange termijn zie IEC 60268  
25W RMS: 100H continu testen bij nominaal vermogen verwijst naar IEC 60268

# Stage1 62F

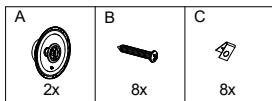
## Mål



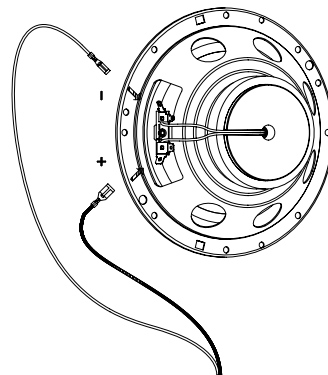
## Installering



## Eskens innhold



## Tilkobling



## Spesifikasjoner

- Høyttaler: 6-1/2" (165 mm) Koaksial bilhøyttaler uten gitter
- Effekthåndtering: \*50 W RMS, 400 W topp
- Følsomhet (@2,83 V): 89 dB
- Frekvensrespons: 55 Hz – 20 kHz
- Nominell impedans: 4ohms

## Thiele-Small-parametre

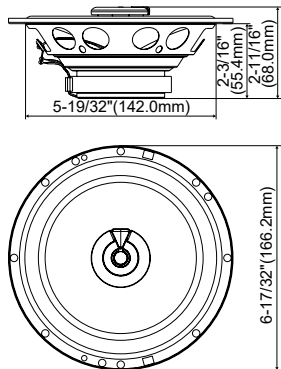
- BL (Tm): 3.097
- DCR (Ohms): 3.25
- Mms (g): 11.25
- Sd (cm<sup>2</sup>): 132.73
- Cms (um/N): 382
- Vas (L): 9.515
- Fs (Hz): 76.8
- Qes: 1.841
- Qms: 8.749
- Qts: 1.521
- Krysspunkt: 5200Hz

\*50W RMS: Maksimal effekt over lang tid henviser til IEC 60268

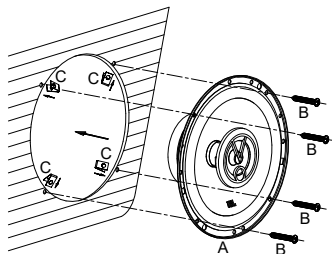
25W RMS: 100 H kontinuerlig testing ved nominell effekt henviser til IEC 60268

# Stage1 62F

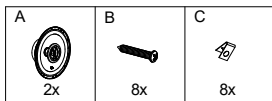
## Mått



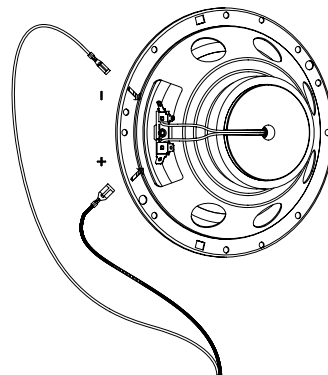
## Installation



## Vad finns i lådan



## Anslutning



## Specifikationer

- Högtalare: 6 1/2-tums (165 mm) koaxial bilhögtalare utan galler
- Effekthantering: \*50 W RMS, 400 W max
- Känslighet (2,83 V): 89 dB
- Frekvensåtergivning: 55 Hz–20 kHz
- Nominell impedans: 4 ohm

## Thiele-små parametrar

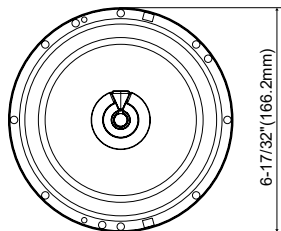
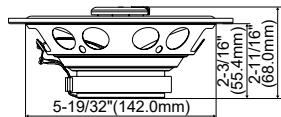
- Bl (Tm): 3.097
- DCR (ohm): 3.25
- Mms (g): 11.25
- Sd (cm<sup>2</sup>): 132.73
- Cms (um/N): 382
- Vas (L): 9.515
- Fs (Hz): 76.8
- Qes: 1.841
- Qms: 8.749
- Qts: 1.521
- Delningsfrekvens: 5200Hz

\*50W RMS: Långsiktig maximal effekt enligt IEC 60268

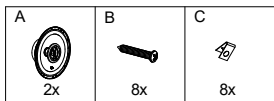
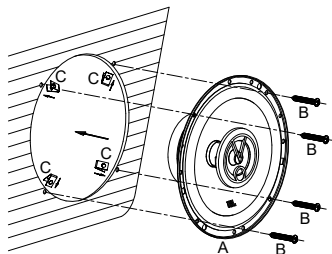
25W RMS: 100H kontinuerlig testning vid nominell effekt refererar till IEC 60268

# Stage1 62F

## 尺寸

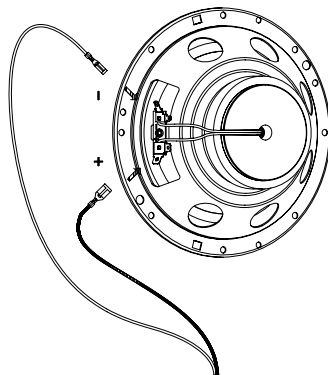


## 安装



## 产品清单

## 连接



## 参数规格

- 扬声器：6.5" (165mm) 同轴车载扬声器（无网罩）
- 功率处理能力：\*50W RMS（峰值为400W）
- 灵敏度 (@2.83V)：89dB
- 频率响应：55Hz – 20kHz
- 标称阻抗：4Ω

## Thiele-Small 参数

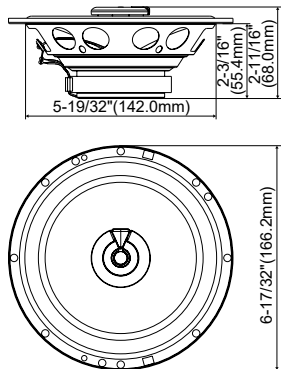
- BL (Tm): 3.097
- DCR (Ohms): 3.25
- Mms (g): 11.25
- Sd (cm<sup>2</sup>): 132.73
- Cms (um/N): 382
- Vas (L): 9.515
- Fs (Hz): 76.8
- Qes: 1.841
- Qms: 8.749
- Qts: 1.521
- 分频点：5200Hz

\*50W RMS: 参照 IEC 60268 标准的长期最大功率

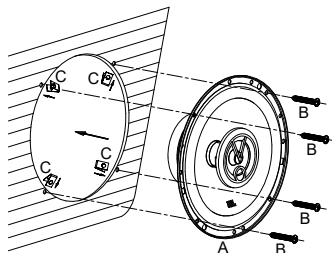
25W RMS: 参照 IEC 60268 标准，在额定功率下连续测试 100 小时

# Stage1 62F

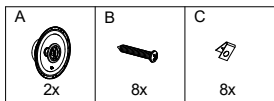
## 尺寸



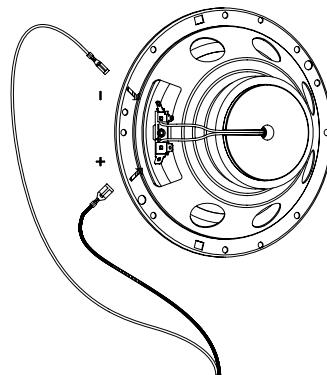
## 安裝



## 包裝盒內物品



## 連接



## 規格

- 喇叭：6-1/2" (165mm) 同軸車載喇叭，無網罩
- 功率處理：\*50W RMS，400W 峰值
- 靈敏度 (@2.83V)：89dB
- 頻率回應：55 Hz – 20 kHz
- 標稱阻抗：4ohms

## Thiele-Small 參數

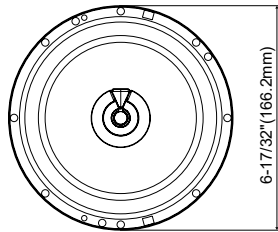
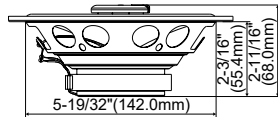
- BL (Tm): 3.097
- DCR (歐姆)：3.25
- Mms (g): 11.25
- Sd (cm<sup>2</sup>): 132.73
- Cms (um/N): 382
- Vas (L): 9.515
- Fs (Hz): 76.8
- Qes: 1.841
- Qms: 8.749
- Qts: 1.521
- 分頻點：5200Hz

\*50W RMS: 長期最大功率，請參考 IEC 60268

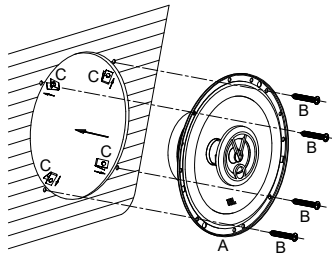
25W RMS: 於額定功率下進行 100H 持續測試，請參考 IEC 60268

# Stage1 62F

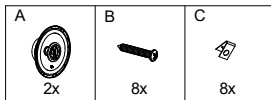
## Dimensi



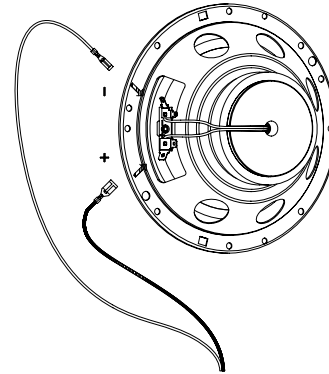
## Instalasi



## Isi kotak



## Sambungan



## Spesifikasi

- Speaker: Speaker Mobil Koaksial 6-1/2" (165mm) tanpa Gril
- Penanganan Daya: \*50 W RMS, 400 W puncak
- Sensitivitas (@2,83V): 89 dB
- Respons Frekuensi: 55 Hz – 20 kHz
- Impedansi Nominal: 4 ohm

## Parameter Thiele-Small

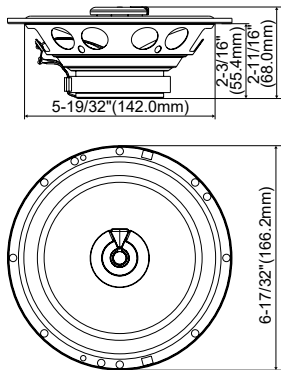
- BL (Tm): 3.097
- DCR (Ohm): 3.25
- Mms (g): 11.25
- Sd (cm<sup>2</sup>): 132.73
- Cms (um/N): 382
- Vas (L): 9.515
- Fs (Hz): 76.8
- Qes: 1.841
- Qms: 8.749
- Qts: 1.521
- Titik Crossover: 5200Hz

\*50W RMS: Daya maksimum jangka panjang merujuk pada IEC 60268

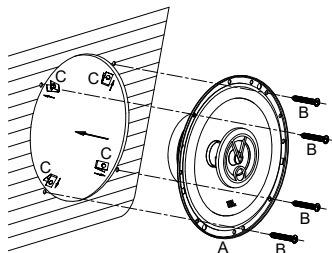
25W RMS: Pengujian terus-menerus selama 100 jam pada daya terukur merujuk pada IEC 60268

# Stage1 62F

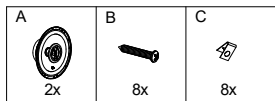
치수



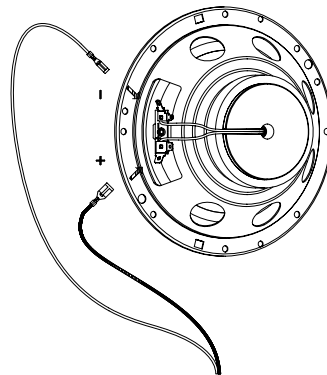
설치



구성품



연결



사양

- 스피커: 6-1/2인치(165mm) 동축 차량 스피커(그릴 미포함)
- 파워 핸들링: \*50W RMS, 최대 400W
- 민감도(@2.83V): 89dB
- 주파수 응답: 55Hz~20kHz
- 공칭 임피던스: 4ohms

틸스몰 파라미터

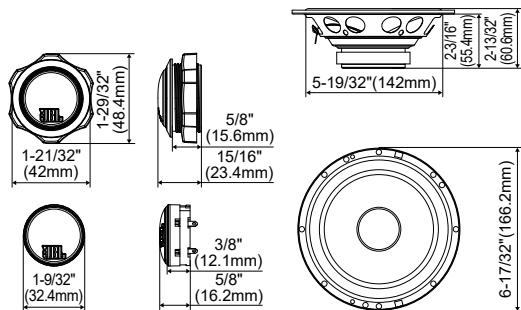
- BL (Tm): 3.097
- DCR (Ω): 3.25
- Mms (g): 11.25
- Sd (cm<sup>2</sup>): 132.73
- Cms (um/N): 382
- Vas (L): 9.515
- Fs (Hz): 76.8
- Qes: 1.841
- Qms: 8.749
- Qts: 1.521
- 크로스오버 포인트: 5200Hz

\*50W RMS: 장기 최대 출력은 IEC 60268을 참조합니다

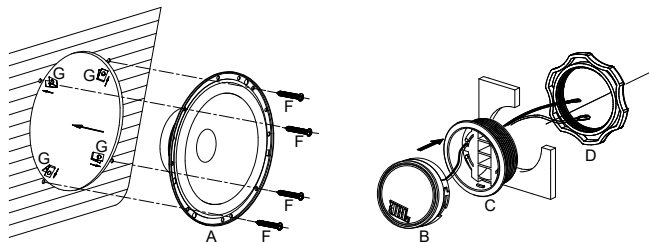
25W RMS: 정격 전력에서의 100H 연속 테스트는 IEC 60268을 참조합니다

# Stage1 62CF

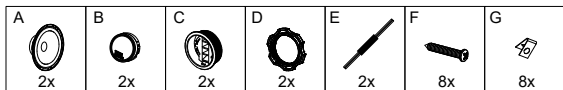
## Dimension



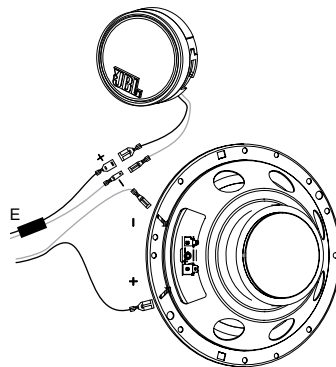
## Installation



## What's in the Box



## Connection



## Specifications

- Speaker: 6-1/2" (165mm) Two-Way Component Car Speaker without Grille
- Power Handling: \*80W RMS, 640W peak
- Sensitivity (@2.83V): 90dB
- Frequency Response: 60Hz-20kHz
- Nominal Impedance: 4ohm

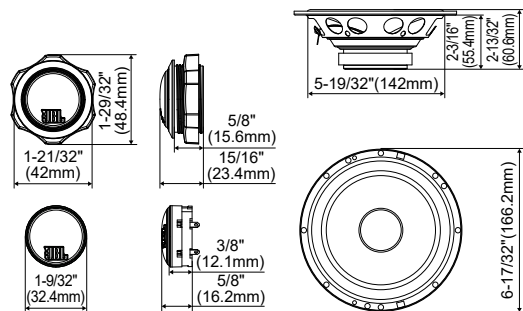
## Thiele-Small Parameters

- BL (Tm): 3.426
- DCR (Ohms): 3.2
- Mms (g): 11.32
- Sd (cm<sup>2</sup>): 132.73
- Cms (um/N): 409
- Vas (L): 10.192
- Fs (Hz): 74
- Qes: 1.436
- Qms: 8.488
- Qts: 1.228
- Crossover Point: 6400Hz

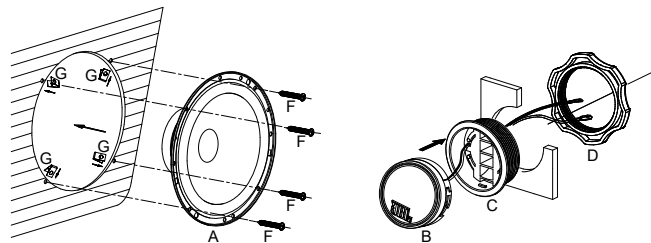
\*80W RMS: Long-term maximum power refer to IEC 60268  
40W RMS: 100H continuous testing at rated power refers to IEC 60268

# Stage1 62CF

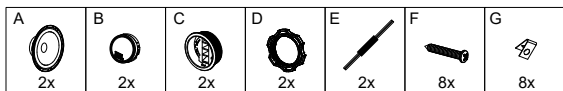
## Dimensions



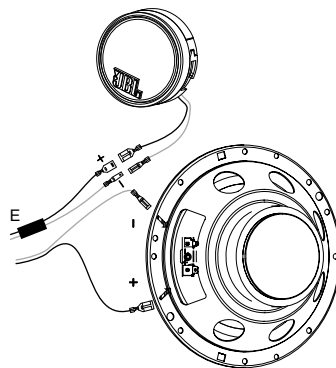
## Installation



## Contenu de la boîte



## Connexion



## Caractéristiques

- Haut-parleur : Haut-parleur de voiture à composante à deux voies de 6-1/2" (165 mm) sans grille
- Puissance admissible : \*80 W RMS, 640 W crête
- Sensibilité (à 2,83 V) : 90 dB
- Réponse en fréquence : 60Hz – 20kHz
- Impédance nominale : 4 ohms

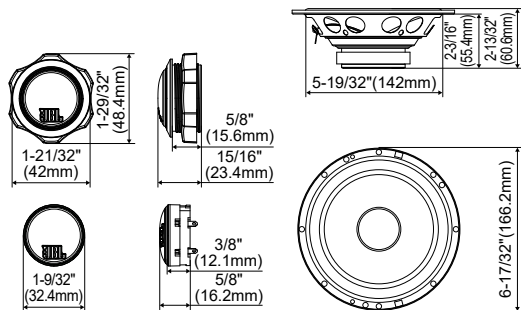
## Paramètres de Thiele-Small

- BL (Tm) : 3.426
- DCR (Ohms) : 3.2
- Mms (g) : 11.32
- Sd (cm<sup>2</sup>) : 132.73
- Cms (um/N) : 409
- Vas (L) : 10.192
- Fs (Hz) : 74
- Qes : 1.436
- Qms : 8.488
- Qts : 1.228
- Point de croisement : 6400Hz

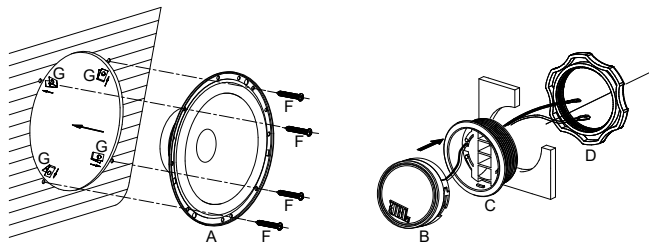
\*80W RMS : La puissance maximale à long terme se réfère à IEC 60268  
40W RMS : Le test continu 100H à puissance nominale se réfère à IEC 60268

# Stage1 62CF

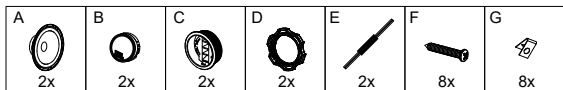
## Mål



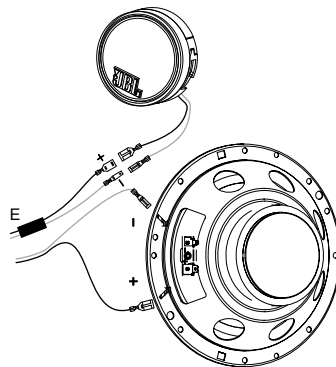
## Installation



## Hvad er der i æsken



## Forbindelse



## Specifikationer

- Højttaler: 6-1/2" (165 mm) tovejskomponent-bilhøjttaler uden gitter
- Effekthåndtering: \*80 W RMS, 640 W spidsbelastning
- Følsomhed (ved 2,83V): 90 dB
- Frekvensområde: 60Hz – 20kHz
- Nominel impedans: 4 ohm

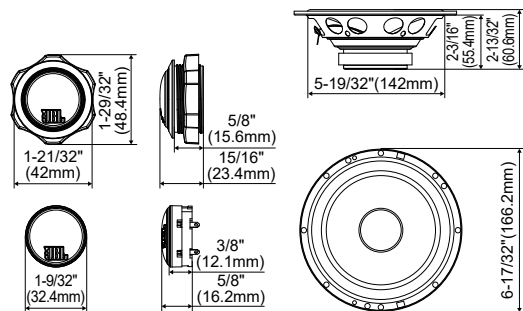
## Thiele-Small-parametre

- BL (Tm): 3.426
- DCR (ohm): 3.2
- Mms (g): 11.32
- Sd (cm<sup>2</sup>): 132.73
- Cms (um/N): 409
- Vas (L): 10.192
- Fs (Hz): 74
- Qes: 1.436
- Qms: 8.488
- Qts: 1.228
- Overgangspunkt: 6400Hz

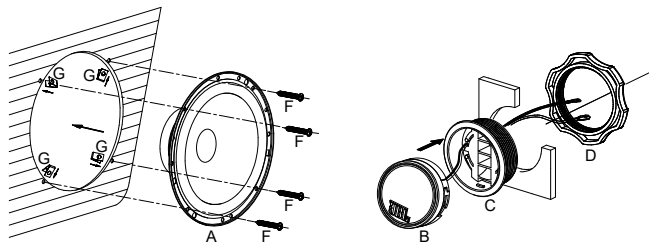
\*80W RMS: Maksimal effekt på lang sigt i henhold til IEC 60268  
40W RMS: 100 timers kontinuerlig test ved nominal effekt refererer til IEC 60268

# Stage1 62CF

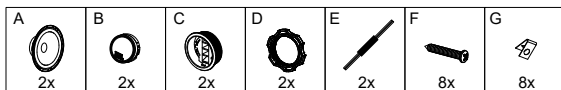
## Abmessungen



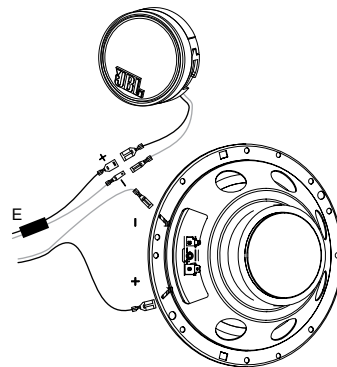
## Installation



## Verpackungsinhalt



## Verbindung



## Technische Daten

- Lautsprecher: 6-1/2 Zoll (165 mm) Zweiwegekomponenten-Autolautsprecher ohne Grill
- Belastbarkeit: \*80W (eff), 640W (Spitze)
- Empfindlichkeit (bei 2,83 V): 90 dB
- Frequenzgang: 60Hz – 20kHz
- Nennimpedanz: 4 Ohm

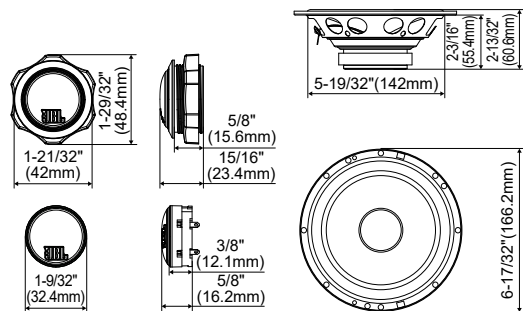
## Thiele-Small-Parameter

- BL (Tm): 3.426
- DCR (Ohm): 3.2
- Mms (g): 11.32
- Sd (cm<sup>2</sup>): 132.73
- Cms (µm/N): 409
- Vas (L): 10.192
- Fs (Hz): 74
- Qes: 1.436
- Qms: 8.488
- Qts: 1.228
- Crossover-Punkt: 6400Hz

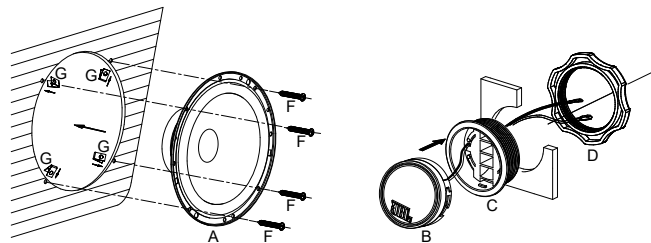
\*80W RMS: Langfristig maximale Leistung gemäß IEC 60268  
40W RMS: 100 Stunden Dauertest bei Nennleistung gemäß IEC 60268

# Stage1 62CF

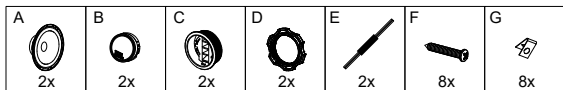
## Dimensiones



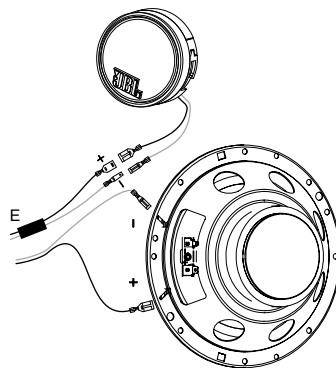
## Instalación



## Contenido de la caja



## Conexión



## Especificaciones

- Altavoz: Altavoces de dos vías de 6-1/2" (165 mm) sin rejilla para coche
- Capacidad de potencia: \*80 W RMS, 640 W pico
- Sensibilidad (2,83 V): 90 dB
- Respuesta en frecuencia: 60Hz – 20kHz
- Impedancia nominal: 4 ohmios

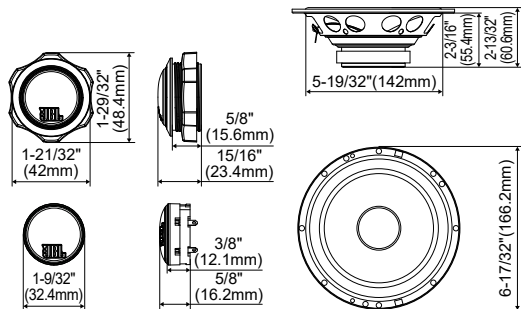
## Parámetros Thiele-Small

- BL (Tm): 3.426
- DCR (Ohms): 3.2
- Mms (g): 11.32
- Sd (cm<sup>2</sup>): 132.73
- Cms (um/N): 409
- Vas (L): 10.192
- Fs (Hz): 74
- Qes: 1.436
- Qms: 8.488
- Qts: 1.228
- Punto de corte de frecuencia: 6400Hz

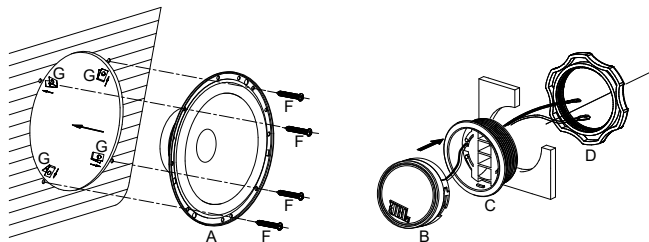
\*80W RMS: Potencia máxima a largo plazo según la normativa IEC 60268  
40W RMS: Prueba continua de 100 horas a potencia nominal según la normativa IEC 60268

# Stage1 62CF

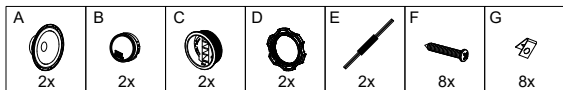
## Mitat



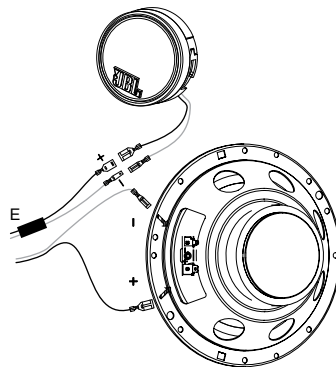
## Asennus



## Pakkauksen sisältö



## Liitäntä



## Tekniset tiedot

- Kaiutin: 6-1/2" (165 mm) ritilätön kaksitieautokaiutin
- Tehonkesto: \*80W RMS, 640W huippu
- Herkkyys (@2,83 V): 90dB
- Taajuusvaste: 60Hz – 20kHz
- Nimellisimpedanssi: 4 ohmia

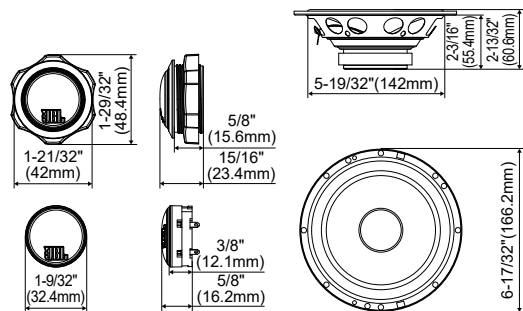
## Thiele-Small-parametrit

- BL (Tm): 3.426
- DCR (Ohmia): 3.2
- Mms (g): 11.32
- Sd (cm<sup>2</sup>): 132.73
- Cms (um/N): 409
- Vas (L): 10.192
- Fs (Hz): 74
- Qes: 1.436
- Qms: 8.488
- Qts: 1.228
- Crossover-kohta: 6400Hz

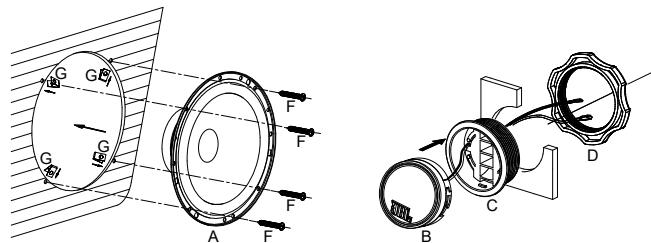
\*80W RMS: Pitkäaikainen enimmäisteho on IEC 60268:n mukainen  
40W RMS: 100h jatkuva testaus nimellisteholla viittaa standardiin IEC 60268

# Stage1 62CF

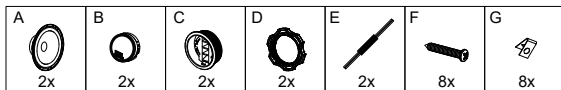
## Dimensioni



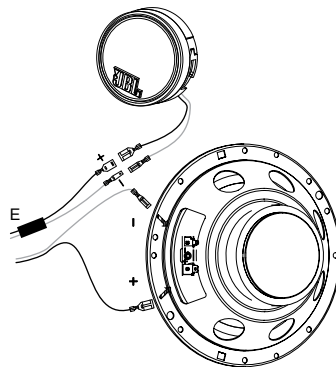
## Installazione



## Contenuto della confezione



## Collegamento



## Specifiche

- Altoparlante: Altoparlante per auto a due vie da 6-1/2" (165 mm), senza griglia
- Capacità di gestione della potenza: \*80 W RMS, 640 W picco
- Sensibilità (a 2,83V): 90 dB
- Risposta in frequenza: 60Hz – 20kHz
- Impedenza nominale: 4 ohm

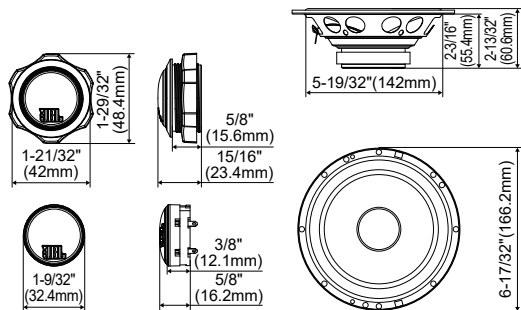
## Thiele-Small Parameters

- BL (Tm): 3.426
- DCR (Ohm): 3.2
- Mms (g): 11.32
- Sd (cm<sup>2</sup>): 132.73
- Cms (um/N): 409
- Vas (L): 10.192
- Fs (Hz): 74
- Qes: 1.436
- Qms: 8.488
- Qts: 1.228
- Punto di crossover: 6400Hz

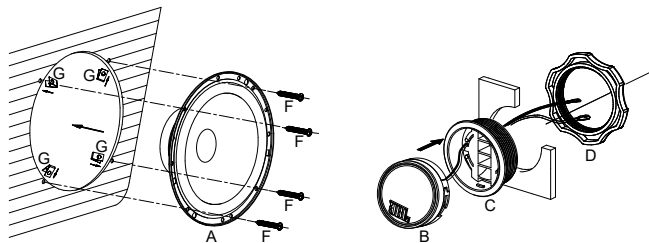
\*80W RMS: La potenza massima a lungo termine fa riferimento alla norma IEC 60268  
40W RMS: Il test continuo di 100 ore alla potenza nominale fa riferimento alla norma IEC 60268

# Stage1 62CF

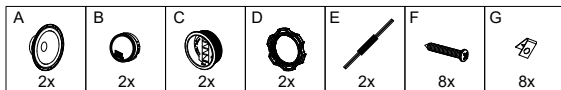
## Afmetingen



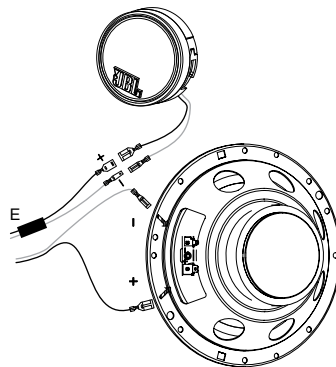
## Installatie



## Verpakkingeninhoud



## Verbinding



## Specificaties

- Luidspreker: 165 mm (6-1/2 inch) tweeweg component autoluidspreker zonder rooster
- Vermogen: \*80 W RMS, 640 W piek
- Gevoeligheid (2,83 V): 90 dB
- Frequentierespons: 60Hz – 20kHz
- Nominale impedantie: 4 ohm

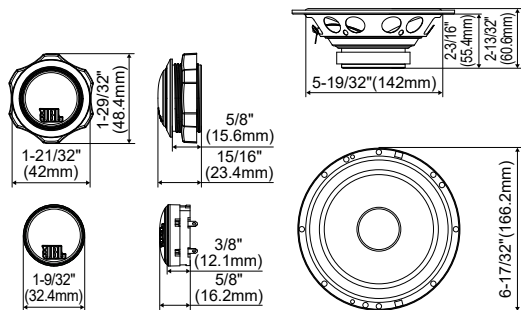
## Thiele-kleine parameters

- BL (Tm): 3.426
- DCR (Ohms): 3.2
- Mms (g): 11.32
- Sd (cm<sup>2</sup>): 132.73
- Cms (um/N): 409
- Vas (L): 10.192
- Fs (Hz): 74
- Qes: 1.436
- Qms: 8.488
- Qts: 1.228
- Crossover Point: 6400Hz

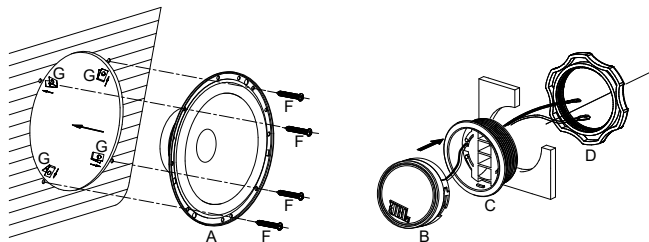
\*80W RMS: Maximaal vermogen op lange termijn zie IEC 60268  
40W RMS: 100H continu testen bij nominaal vermogen verwijst naar IEC 60268

# Stage1 62CF

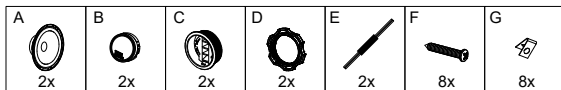
## Mål



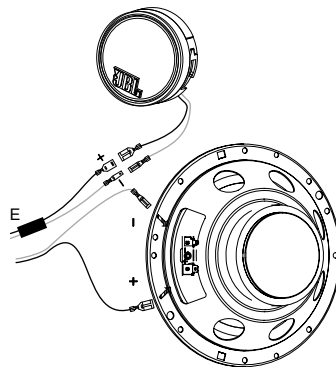
## Installering



## Eskens innhold



## Tilkobling



## Spesifikasjoner

- Høyttaler: 6-1/2" (165 mm) Toveis komponent bilhøyttaler uten gitter
- Effekthåndtering: \*80 W RMS, 640 W topp
- Følsomhet (@2,83 V): 90 dB
- Frekvensrespons: 60Hz – 20kHz
- Nominell impedans: 4ohms

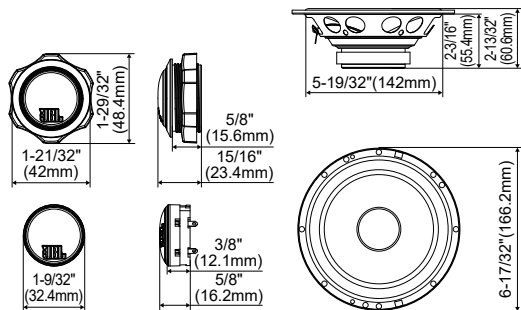
## Thiele-Small-parametre

- BL (Tm): 3.426
- DCR (Ohms): 3.2
- Mms (g): 11.32
- Sd (cm<sup>2</sup>): 132.73
- Cms (um/N): 409
- Vas (L): 10.192
- Fs (Hz): 74
- Qes: 1.436
- Qms: 8.488
- Qts: 1.228
- Krysspunkt: 6400Hz

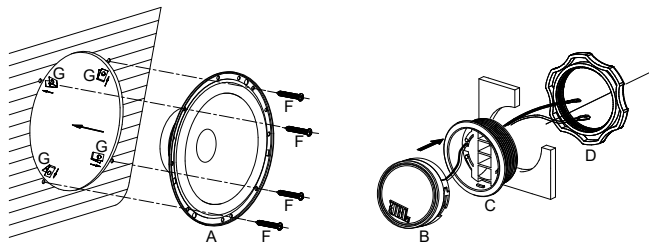
\*80W RMS: Maksimal effekt over lang tid henviser til IEC 60268  
40W RMS: 100 H kontinuerlig testing ved nominell effekt henviser til IEC 60268

# Stage1 62CF

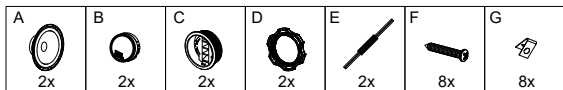
## Mått



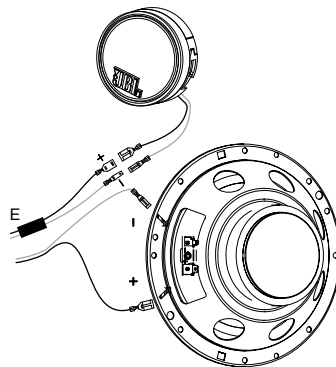
## Installation



## Vad finns i lådan



## Anslutning



## Specifikationer

- Högtalare: 6 1/2-tums (165 mm) tvåvägs komponentbilhögtalare utan galler
- Effekthantering: \*80 W RMS, 640 W max
- Känslighet (2,83 V): 90 dB
- Frekvensåtergivning: 60Hz – 20kHz
- Nominell impedans: 4 ohm

## Thiele-små parametrar

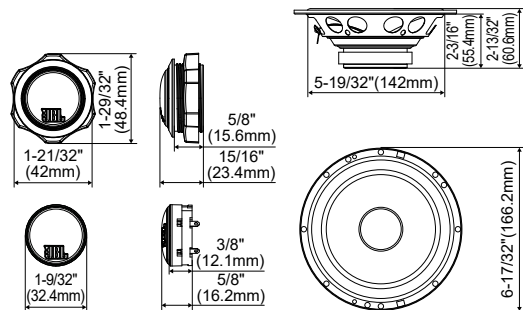
- BL (Tm): 3.426
- DCR (ohm): 3.2
- Mms (g): 11.32
- Sd (cm<sup>2</sup>): 132.73
- Cms (um/N): 409
- Vas (L): 10.192
- Fs (Hz): 74
- Qes: 1.436
- Qms: 8.488
- Qts: 1.228
- Delningsfrekvens: 6400Hz

\*80W RMS: Långsiktig maximal effekt enligt IEC 60268

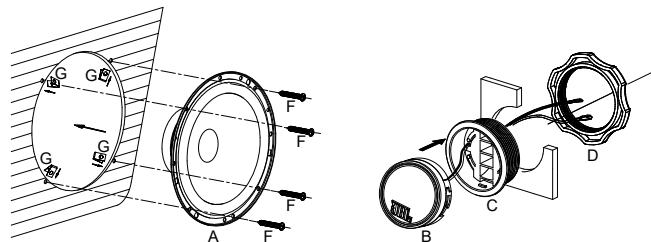
40W RMS: 100H kontinuerlig testning vid nominell effekt refererar till IEC 60268

# Stage1 62CF

## 尺寸



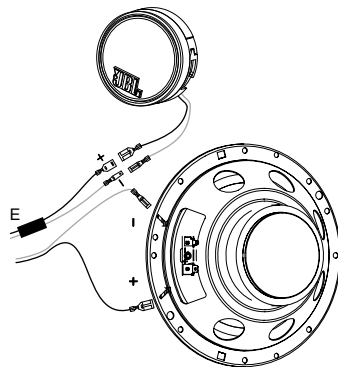
## 安装



## 产品清单

A	B	C	D	E	F	G
2x	2x	2x	2x	2x	8x	8x

## 连接



## 参数规格

- 扬声器：6.5" (165mm) 二分频分体式车载扬声器（无网罩）
- 功率处理能力：\*80W RMS（峰值为640W）
- 灵敏度 (@2.83V)：90dB
- 频率响应：60Hz – 20kHz
- 标称阻抗：4Ω

## Thiele-Small 参数

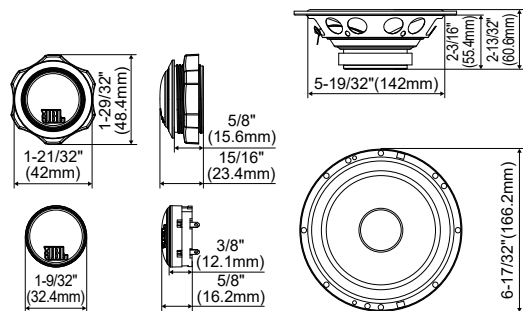
- BL (Tm): 3.426
- DCR (Ohms): 3.2
- Mms (g): 11.32
- Sd (cm<sup>2</sup>): 132.73
- Cms (um/N): 409
- Vas (L): 10.192
- Fs (Hz): 74
- Qes: 1.436
- Qms: 8.488
- Qts: 1.228
- 分频点: 6400Hz

\*80W RMS: 参照 IEC 60268 标准的长期最大功率

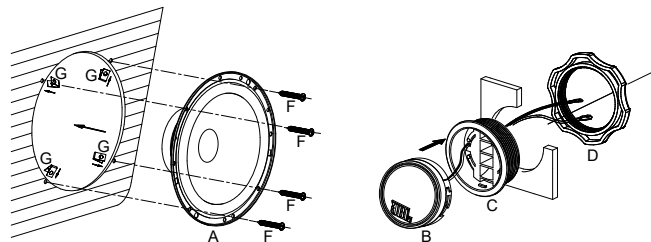
40W RMS: 参照 IEC 60268 标准, 在额定功率下连续测试 100 小时

# Stage1 62CF

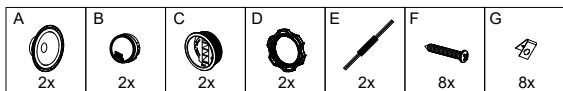
## 尺寸



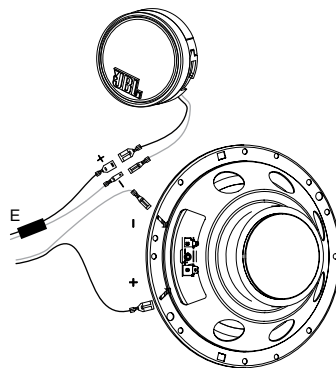
## 安裝



## 包裝盒內物品



## 連接



## 規格

- 喇叭：6-1/2" (165mm) 二音路分離式車載喇叭，無網罩
- 功率處理：\*80W RMS，640W 峰值
- 靈敏度 (@2.83V)：90dB
- 頻率回應：60Hz - 20kHz
- 標稱阻抗：4ohms

## Thiele-Small 參數

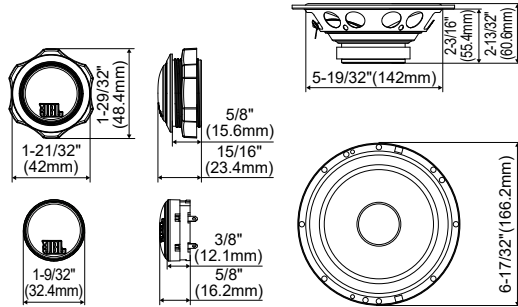
- BL (Tm): 3.426
- DCR (歐姆)：3.2
- Mms (g): 11.32
- Sd (cm<sup>2</sup>): 132.73
- Cms (um/N): 409
- Vas (L): 10.192
- Fs (Hz): 74
- Qes: 1.436
- Qms: 8.488
- Qts: 1.228
- 分頻點：6400Hz

\*80W RMS: 長期最大功率，請參考 IEC 60268

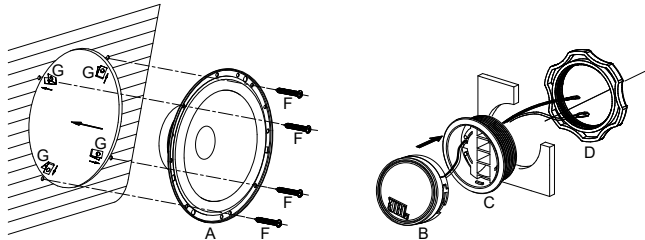
40W RMS: 於額定功率下進行 100H 持續測試，請參考 IEC 60268

# Stage1 62CF

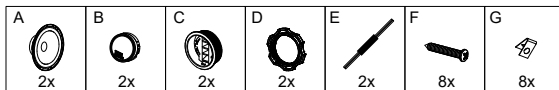
## Dimensi



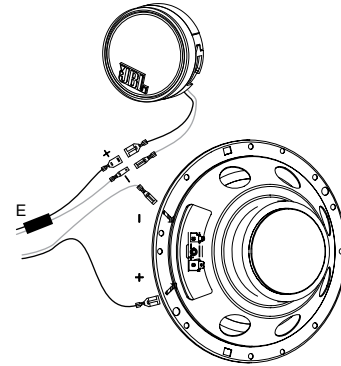
## Instalasi



## Isi kotak



## Sambungan



## Spesifikasi

- Speaker: Speaker Mobil Komponen Dua Arah 6-1/2" (165mm) tanpa Gril
- Penanganan Daya: \*80 W RMS, 640 W puncak
- Sensitivitas (@2,83V): 90 dB
- Respons Frekuensi: 60Hz – 20kHz
- Impedansi Nominal: 4 ohm

## Parameter Thiele-Small

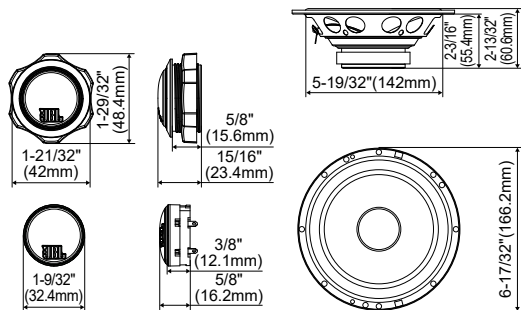
- BL (Tm): 3.426
- DCR (Ohm): 3.2
- Mms (g): 11.32
- Sd (cm<sup>2</sup>): 132.73
- Cms (um/N): 409
- Vas (L): 10.192
- Fs (Hz): 74
- Qes: 1.436
- Qms: 8.488
- Qts: 1.228
- Titik Crossover: 6400Hz

\*80W RMS: Daya maksimum jangka panjang merujuk pada IEC 60268

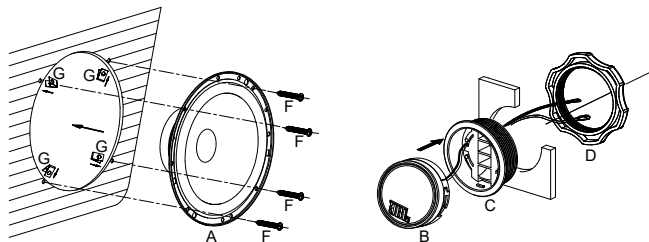
40W RMS: Pengujian terus-menerus selama 100 jam pada daya terukur merujuk pada IEC 60268

# Stage1 62CF

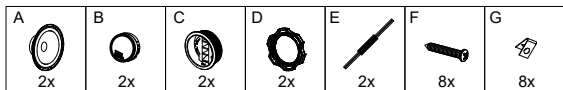
## 치수



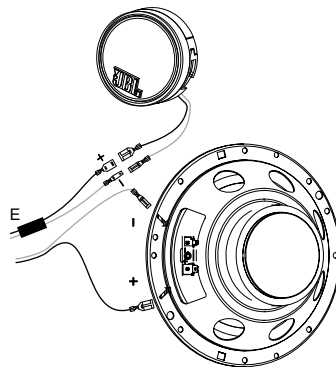
## 설치



## 구성품



## 연결



## 사양

- 스피커: 6-1/2인치(165mm) 2-way 컴포넌트 차량 스피커(그릴 미포함)
- 파워 핸들링: \*80W RMS, 최대 640W
- 민감도(@2.83V): 90dB
- 주파수 응답: 60Hz - 20kHz
- 공칭 임피던스: 4ohms

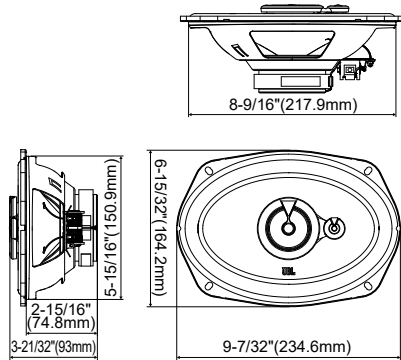
## 틸스몰 파라미터

- BL (Tm): 3.426
- DCR (Ω): 3.2
- Mms (g): 11.32
- Sd (cm<sup>2</sup>): 132.73
- Cms (um/N): 409
- Vas (L): 10.192
- Fs (Hz): 74
- Qes: 1.436
- Qms: 8.488
- Qts: 1.228
- 크로스오버 포인트: 6400Hz

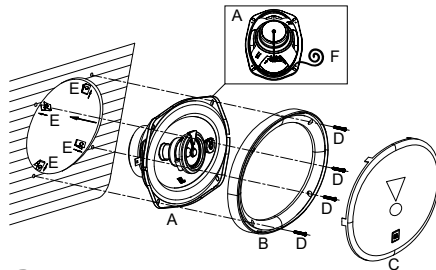
\*80W RMS: 장기 최대 출력은 IEC 60268을 참조합니다  
40W RMS: 정격 전력에서의 100H 연속 테스트는 IEC 60268을 참조합니다

# Stage1 962M

## Dimension



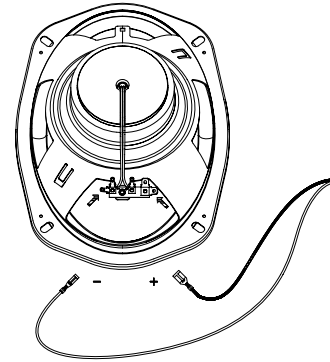
## Installation



## What's in the Box

2x	2x	2x	8x	8x	2x

## Connection



## Specifications

- Speaker: 6x9" (152x230mm) Three-Way Car Speaker with Grille
- Power Handling: \*70W RMS, 560W peak
- Sensitivity (@2.83V): 91dB
- Frequency Response: 45Hz-20kHz
- Nominal Impedance: 4ohm

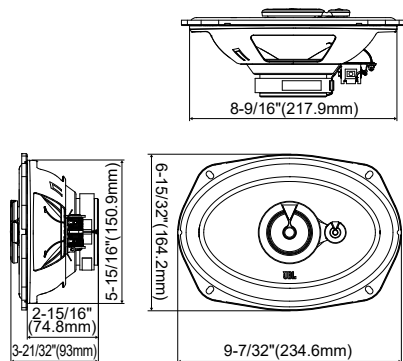
## Thiele-Small Parameters

- BL (Tm): 4.048
- DCR (Ohms): 3.29
- Mms (g): 20.912
- Sd (cm<sup>2</sup>): 239
- Cms (um/N): 345
- Vas (L): 27.91
- Fs (Hz): 59.2
- Qes: 1.562
- Qms: 12.018
- Qts: 1.382
- Crossover Point: 4300Hz

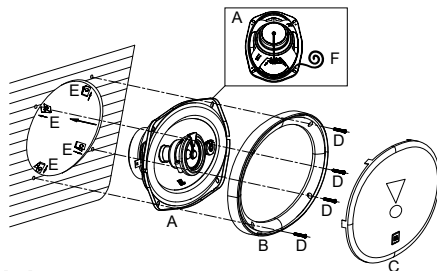
\*70W RMS: Long-term maximum power refer to IEC 60268  
35W RMS: 100H continuous testing at rated power refers to IEC 60268

# Stage1 962M

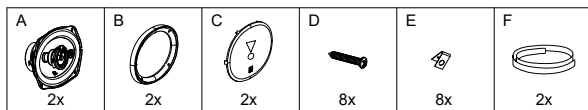
## Dimensions



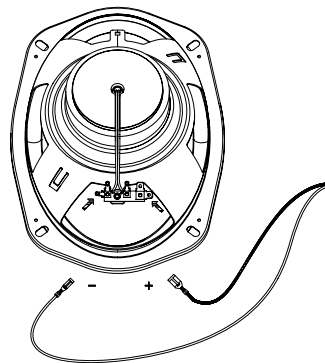
## Installation



## Contenu de la boîte



## Connexion



## Caractéristiques

- Haut-parleur : Haut-parleur de voiture à trois voies de 6x9" (152x230 mm) avec grille
- Puissance admissible : \*70 W RMS, 560 W crête
- Sensibilité (à 2,83 V) : 91 dB
- Réponse en fréquence : 45Hz – 20kHz
- Impédance nominale : 4 ohms

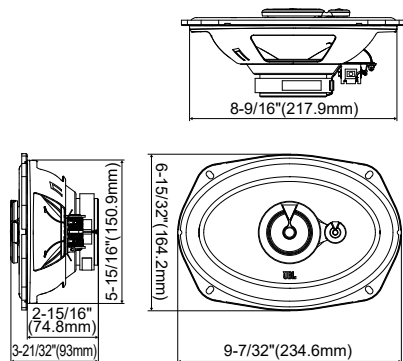
## Paramètres de Thiele-Small

- BL (Tm) : 4.048
- DCR (Ohms) : 3.29
- Mms (g) : 20.912
- Sd (cm<sup>2</sup>) : 239
- Cms (um/N) : 345
- Vas (L) : 27.91
- Fs (Hz) : 59.2
- Qes : 1.562
- Qms : 12.018
- Qts : 1.382
- Point de croisement : 4300Hz

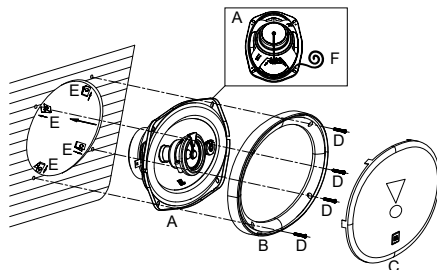
\*70W RMS : La puissance maximale à long terme se réfère à IEC 60268  
35W RMS : Le test continu 100H à puissance nominale se réfère à IEC 60268

# Stage1 962M

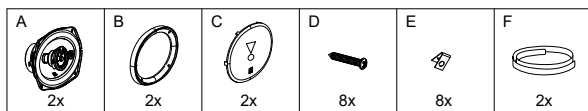
## Mål



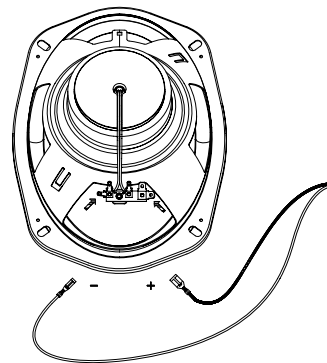
## Installation



## Hvad er der i æsken



## Forbindelse



## Specifikationer

- Højttaler: 6x9" (152x230 mm) trevejs-bilhøjttaler med gitter
- Effekthåndtering: \*70W RMS, 560W spidsbelastning
- Følsomhed (ved 2,83V): 91 dB
- Frekvensområde: 45Hz – 20kHz
- Nominel impedans: 4 ohm

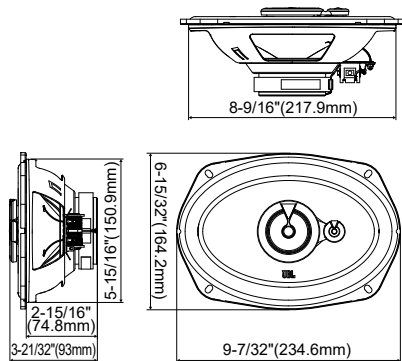
## Thiele-Small-parametre

- BL (Tm): 4.048
- DCR (ohm): 3.29
- Mms (g): 20.912
- Sd (cm<sup>2</sup>): 239
- Cms (um/N): 345
- Vas (L): 27.91
- Fs (Hz): 59.2
- Qes: 1.562
- Qms: 12.018
- Qts: 1.382
- Overgangspunkt: 4300Hz

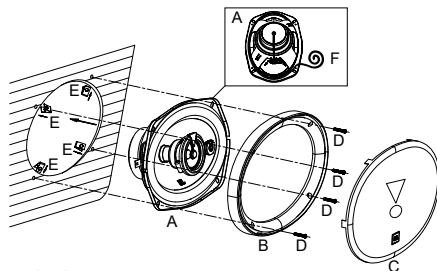
\*70W RMS: Maksimal effekt på lang sigt i henhold til IEC 60268  
35W RMS: 100 timers kontinuerlig test ved nominel effekt refererer til IEC 60268

# Stage1 962M

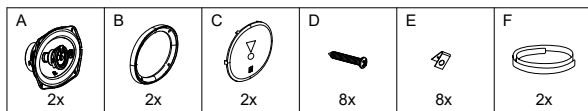
## Abmessungen



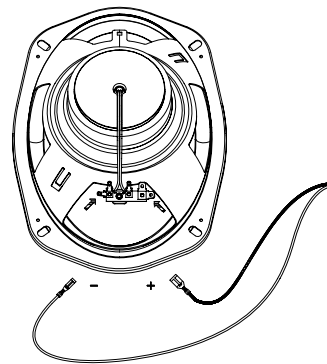
## Installation



## Verpackungsinhalt



## Verbindung



## Technische Daten

- Lautsprecher: 6 x 9 Zoll (152 x 230 mm)  
Dreibege-Autolautsprecher mit Grill
- Belastbarkeit: \*70W (eff), 560W (Spitze)
- Empfindlichkeit (bei 2,83 V): 91 dB
- Frequenzgang: 45Hz – 20kHz
- Nennimpedanz: 4 Ohm

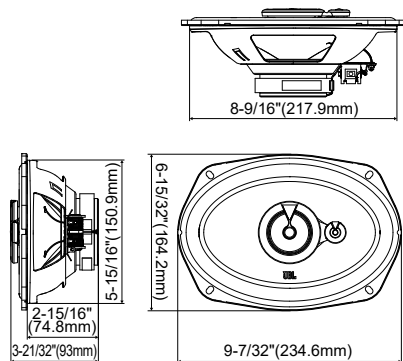
## Thiele-Small-Parameter

- BL (Tm): 4.048
- DCR (Ohm): 3.29
- Mms (g): 20.912
- Sd (cm<sup>2</sup>): 239
- Cms (µm/N): 345
- Vas (L): 27.91
- Fs (Hz): 59.2
- Qes: 1.562
- Qms: 12.018
- Qts: 1.382
- Crossover-Punkt: 4300Hz

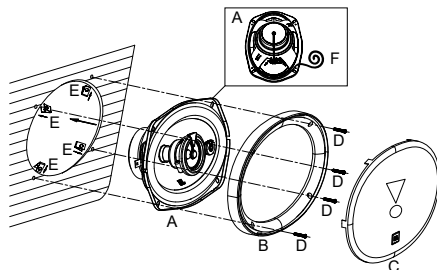
\*70W RMS: Langfristig maximale Leistung gemäß IEC 60268  
35W RMS: 100 Stunden Dauertest bei Nennleistung gemäß IEC 60268

# Stage1 962M

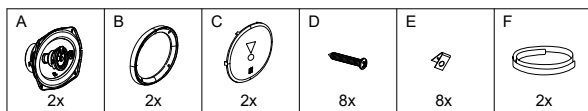
## Dimensiones



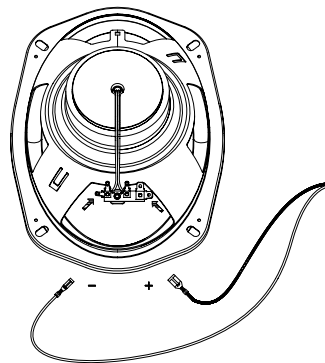
## Instalación



## Contenido de la caja



## Conexión



## Especificaciones

- Altavoz: Altavoces de tres vías de 6 x 9" (152 x 230 mm) con rejilla para coche
- Capacidad de potencia: \*70 W RMS, 560 W pico
- Sensibilidad (2,83 V): 91 dB
- Respuesta en frecuencia: 45Hz – 20kHz
- Impedancia nominal: 4 ohmios

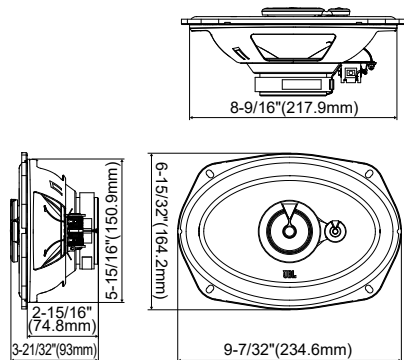
## Parámetros Thiele-Small

- BL (Tm): 4.048
- DCR (Ohms): 3.29
- Mms (g): 20.912
- Sd (cm<sup>2</sup>): 239
- Cms (um/N): 345
- Vas (L): 27.91
- Fs (Hz): 59.2
- Qes: 1.562
- Qms: 12.018
- Qts: 1.382
- Punto de corte de frecuencia: 4300Hz

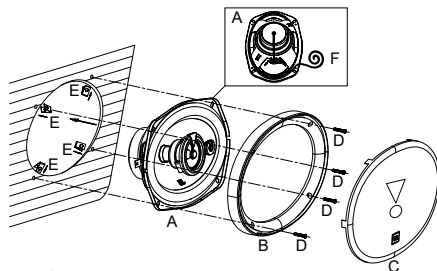
\*70W RMS: Potencia máxima a largo plazo según la normativa IEC 60268  
35W RMS: Prueba continua de 100 horas a potencia nominal según la normativa IEC 60268

# Stage1 962M







## Mitat



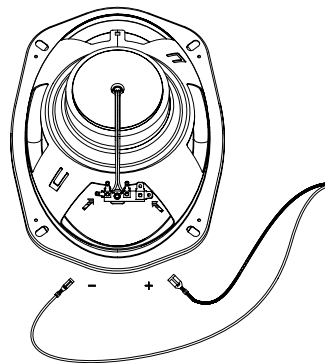
## Asennus



## Pakkauksen sisältö

					
2x	2x	2x	8x	8x	2x

## Liitäntä



## Tekniset tiedot

- Kaiutin: 6x9" (152x230 mm) kolmetieautokaiutin ritilällä
- Tehonkesto: \*70W RMS, 560W huippu
- Herkkyys (@2,83 V): 91dB
- Taajuusvaste: 45Hz – 20kHz
- Nimellisimpedanssi: 4 ohmia

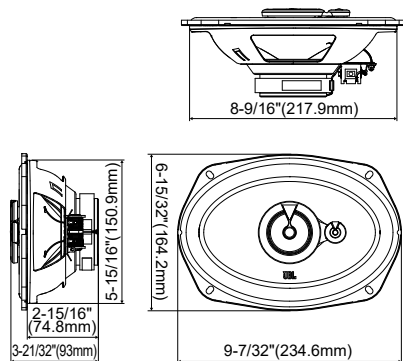
## Thiele-Small-parametrit

- BL (Tm): 4.048
- DCR (Ohmia): 3.29
- Mms (g): 20.912
- Sd (cm<sup>2</sup>): 239
- Cms (um/N): 345
- Vas (L): 27.91
- Fs (Hz): 59.2
- Qes: 1.562
- Qms: 12.018
- Qts: 1.382
- Crossover-kohta: 4300Hz

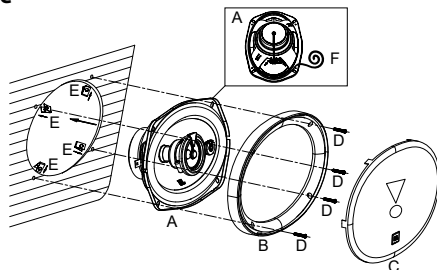
\*70W RMS: Pitkäaikainen enimmäisteho on IEC 60268:n mukainen  
35W RMS: 100h jatkuva testaus nimellisteholla viittaa standardiin IEC 60268

# Stage1 962M

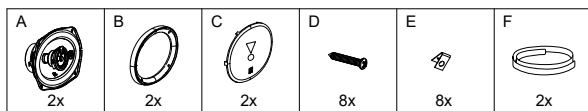
## Dimensioni



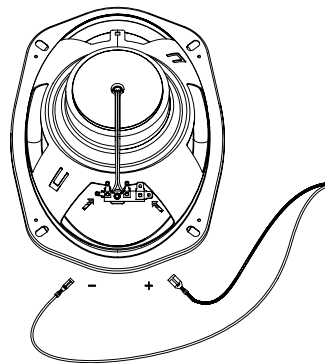
## Installazione



## Contenuto della confezione



## Collegamento



## Specifiche

- Altoparlante: Altoparlante a tre vie per auto da 6x9" (152x230 mm), con griglia
- Capacità di gestione della potenza: \*70 W RMS, 560 W picco
- Sensibilità (a 2,83V): 91 dB
- Risposta in frequenza: 45Hz – 20kHz
- Impedenza nominale: 4 ohm

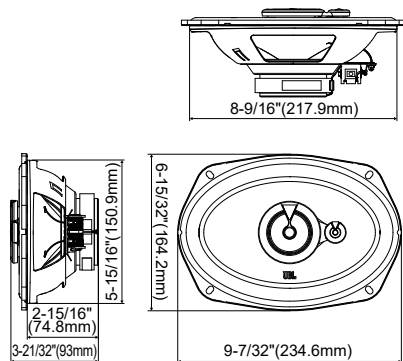
## Thiele-Small Parameters

- BL (Tm): 4.048
- DCR (Ohm): 3.29
- Mms (g): 20.912
- Sd (cm<sup>2</sup>): 239
- Cms (um/N): 345
- Vas (L): 27.91
- Fs (Hz): 59.2
- Qes: 1.562
- Qms: 12.018
- Qts: 1.382
- Punto di crossover: 4300Hz

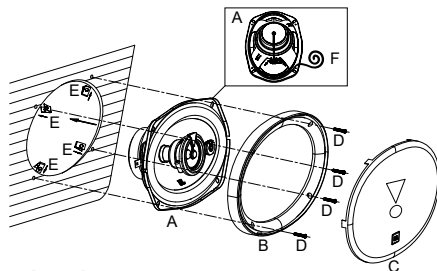
\*70W RMS: La potenza massima a lungo termine fa riferimento alla norma IEC 60268  
35W RMS: Il test continuo di 100 ore alla potenza nominale fa riferimento alla norma IEC 60268

# Stage1 962M

## Afmetingen



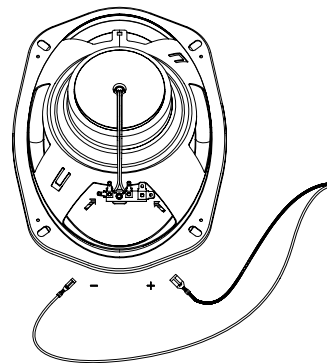
## Installatie



## Verpakkingsinhoud

2x	2x	2x	8x	8x	2x

## Verbinding



## Specificaties

- Luidspreker: 152x230 mm (6x9 inch) drieweg autoluidspreker met rooster
- Vermogen: \*70 W RMS, 560 W piek
- Gevoeligheid (2,83 V): 91 dB
- Frequentierespons: 45Hz – 20kHz
- Nominale impedantie: 4 ohm

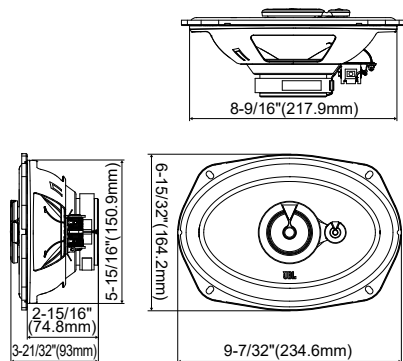
## Thiele-kleine parameters

- BL (Tm): 4.048
- DCR (Ohms): 3.29
- Mms (g): 20.912
- Sd (cm<sup>2</sup>): 239
- Cms (um/N): 345
- Vas (L): 27.91
- Fs (Hz): 59.2
- Qes: 1.562
- Qms: 12.018
- Qts: 1.382
- Crossover Point: 4300Hz

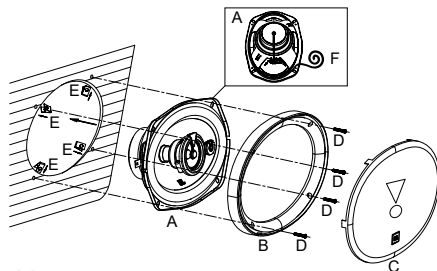
\*70W RMS: Maximaal vermogen op lange termijn zie IEC 60268  
35W RMS: 100H continu testen bij nominaal vermogen verwijst naar IEC 60268

# Stage1 962M

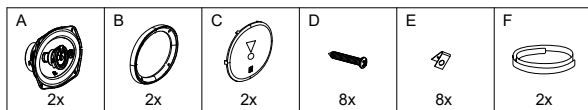
## Mål



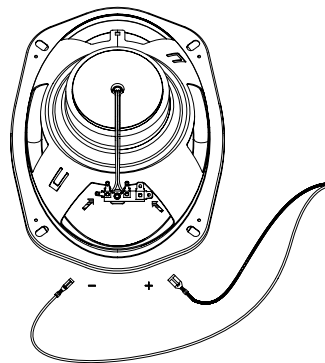
## Installering



## Eskens innhold



## Tilkobling



## Spesifikasjoner

- Høyttaler: 6x9" (152x230 mm) Treveis bilhøyttaler med gitter
- Effekthåndtering: \*70 W RMS, 560 W topp
- Følsomhet (@2,83 V): 91 dB
- Frekvensrespons: 45Hz – 20kHz
- Nominell impedans: 4ohms

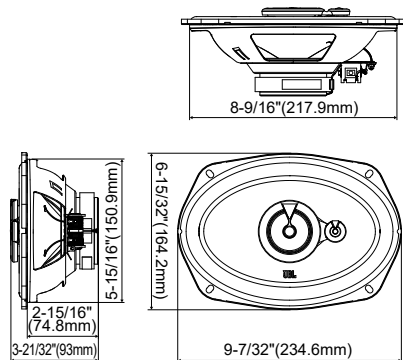
## Thiele-Small-parametre

- BL (Tm): 4.048
- DCR (Ohms): 3.29
- Mms (g): 20.912
- Sd (cm<sup>2</sup>): 239
- Cms (um/N): 345
- Vas (L): 27.91
- Fs (Hz): 59.2
- Qes: 1.562
- Qms: 12.018
- Qts: 1.382
- Krysspunkt: 4300Hz

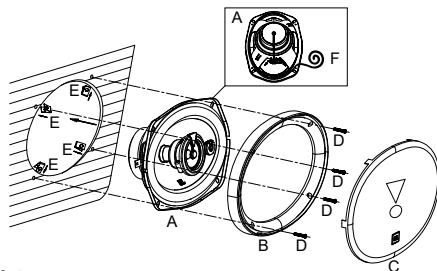
\*70W RMS: Maksimal effekt over lang tid henviser til IEC 60268  
35W RMS: 100 H kontinuerlig testing ved nominell effekt henviser til IEC 60268

# Stage1 962M

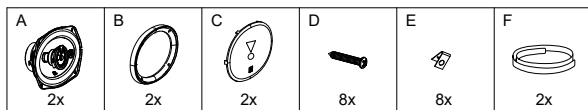
## Mått



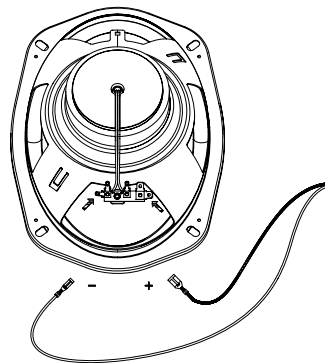
## Installation



## Vad finns i lådan



## Anslutning



## Specifikationer

- Högtalare: 6 x 9-tums (152 x 230 mm) trevägs bilhögtalare med galler
- Effekthantering: \*70 W RMS, 560 W max
- Känslighet (2,83 V): 91 dB
- Frekvensåtergivning: 45Hz – 20kHz
- Nominell impedans: 4 ohm

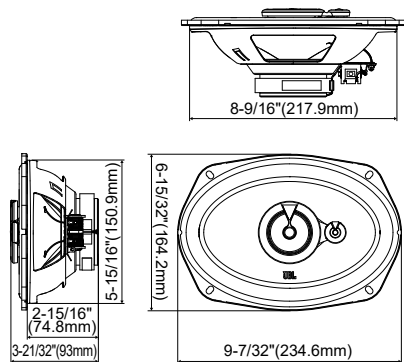
## Thiele-små parametrar

- BL (Tm): 4.048
- DCR (ohm): 3.29
- Mms (g): 20.912
- Sd (cm<sup>2</sup>): 239
- Cms (um/N): 345
- Vas (L): 27.91
- Fs (Hz): 59.2
- Qes: 1.562
- Qms: 12.018
- Qts: 1.382
- Delningsfrekvens: 4300Hz

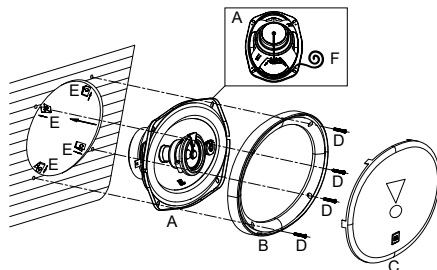
\*70W RMS: Långsiktig maximal effekt enligt IEC 60268  
35W RMS: 100H kontinuerlig testning vid nominell effekt refererar till IEC 60268

# Stage1 962M

## 尺寸



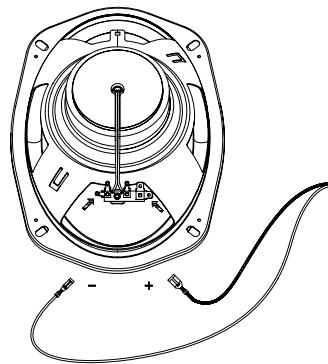
## 安装



## 产品清单

2x	2x	2x	8x	8x	2x

## 连接



## 参数规格

- 扬声器: 6x9" (152x230mm) 三分频车载扬声器 (有网罩)
- 功率处理能力: \*70W RMS (峰值为 560W)
- 灵敏度 (@2.83V): 91dB
- 频率响应: 45Hz - 20kHz
- 标称阻抗: 4Ω

## Thiele-Small 参数

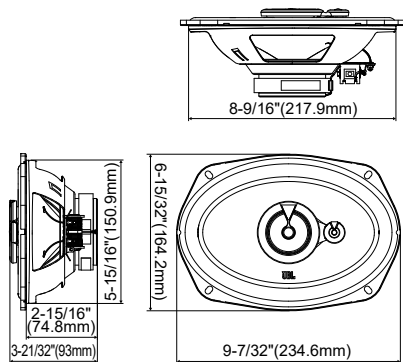
- BL (Tm): 4.048
- DCR (Ohms): 3.29
- Mms (g): 20.912
- Sd (cm<sup>2</sup>): 239
- Cms (um/N): 345
- Vas (L): 27.91
- Fs (Hz): 59.2
- Qes: 1.562
- Qms: 12.018
- Qts: 1.382
- 分频点: 4300Hz

\*70W RMS: 参照 IEC 60268 标准的长期最大功率

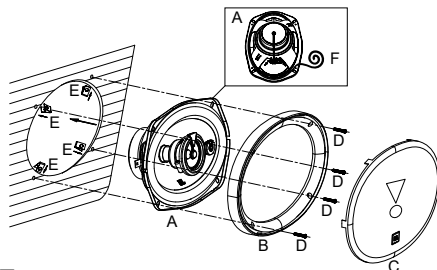
35W RMS: 参照 IEC 60268 标准, 在额定功率下连续测试 100 小时

# Stage1 962M

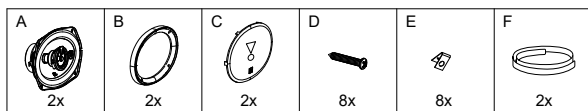
## 尺寸



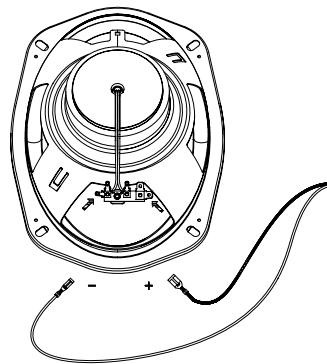
## 安裝



## 包裝盒內物品



## 連接



## 規格

- 喇叭：6x9" (152x230mm) 三音路車載喇叭，附網罩
- 功率處理：\*70W RMS，560W 峰值
- 靈敏度 (@2.83V)：91dB
- 頻率回應：45Hz - 20kHz
- 標稱阻抗：4ohms

## Thiele-Small 參數

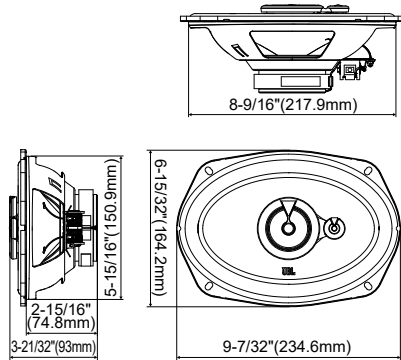
- BL (Tm): 4.048
- DCR (歐姆)：3.29
- Mms (g): 20.912
- Sd (cm<sup>2</sup>): 239
- Cms (um/N): 345
- Vas (L): 27.91
- Fs (Hz): 59.2
- Qes: 1.562
- Qms: 12.018
- Qts: 1.382
- 分頻點：4300Hz

\*70W RMS: 長期最大功率，請參考 IEC 60268

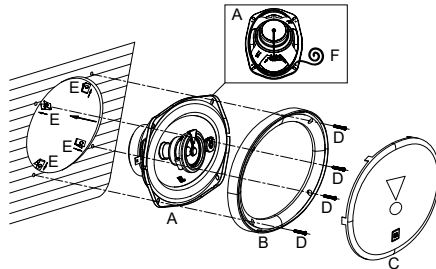
35W RMS: 於額定功率下進行 100H 持續測試，請參考 IEC 60268

# Stage1 962M

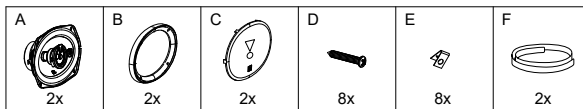
## Dimensi



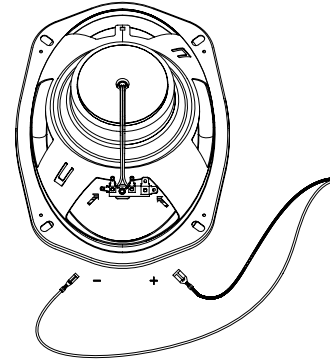
## Instalasi



## Isi kotak



## Sambungan



## Spesifikasi

- Speaker: Speaker Mobil Tiga Arah 6x9" (152x230mm) dengan Gril
- Penanganan Daya: \*70 W RMS, 560 W puncak
- Sensitivitas (@2,83V): 91 dB
- Respons Frekuensi: 45Hz – 20kHz
- Impedansi Nominal: 4 ohm

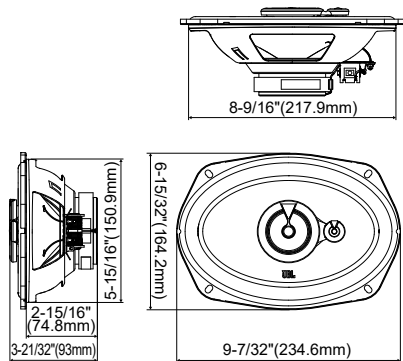
## Parameter Thiele-Small

- BL (Tm): 4.048
- DCR (Ohm): 3.29
- Mms (g): 20.912
- Sd (cm<sup>2</sup>): 239
- Cms (um/N): 345
- Vas (L): 27.91
- Fs (Hz): 59.2
- Qes: 1.562
- Qms: 12.018
- Qts: 1.382
- Titik Crossover: 4300Hz

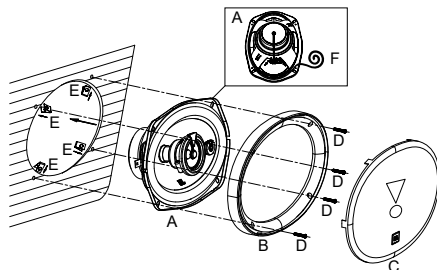
\*70W RMS: Daya maksimum jangka panjang merujuk pada IEC 60268  
35W RMS: Pengujian terus-menerus selama 100 jam pada daya terukur merujuk pada IEC 60268

# Stage1 962M

치수



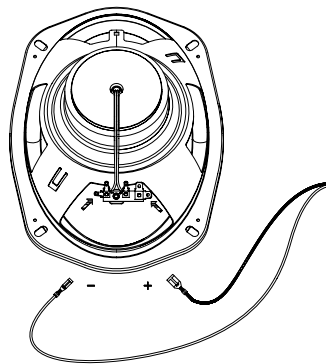
설치



구성품

2x	2x	2x	8x	8x	2x

연결



사양

- 스피커: 6x9인치(152x230mm) 3-way 차량 스피커(그릴 포함)
- 파워 핸들링: \*70W RMS, 최대 560W
- 민감도(@2.83V): 91dB
- 주파수 응답: 45Hz - 20kHz
- 공칭 임피던스: 4ohms

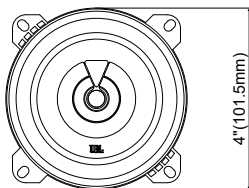
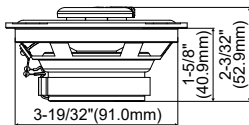
틸스몰 파라미터

- BL (Tm): 4.048
- DCR (Ω): 3.29
- Mms (g): 20.912
- Sd (cm<sup>2</sup>): 239
- Cms (um/N): 345
- Vas (L): 27.91
- Fs (Hz): 59.2
- Qes: 1.562
- Qms: 12.018
- Qts: 1.382
- 크로스오버 포인트: 4300Hz

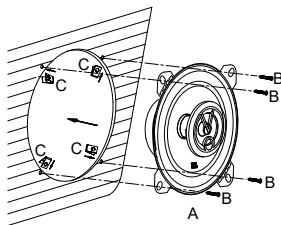
\*70W RMS: 장기 최대 출력은 IEC 60268을 참조합니다  
35W RMS: 정격 전력에서의 100H 연속 테스트는 IEC 60268을 참조합니다

# Stage1 42F

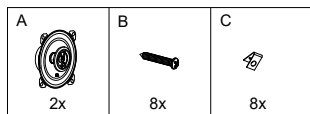
## Dimension



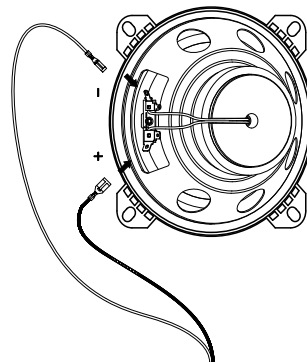
## Installation



## What's in the Box



## Connection



## Specifications

- Speaker: 4" (100mm) Coaxial Car Speaker without Grille
- Power Handling: \*40W RMS, 320W peak
- Sensitivity (@2.83V): 88dB
- Frequency Response: 85Hz-20kHz
- Nominal Impedance: 4ohm

## Thiele-Small Parameters

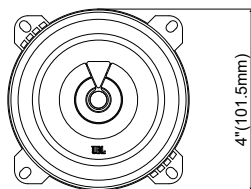
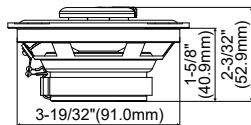
- BL (Tm): 2.521
- DCR (Ohms): 3.24
- Mms (g): 4.03
- Sd (cm<sup>2</sup>): 50.27
- Cms (um/N): 474
- Vas (L): 1.6958
- Fs (Hz): 115.1
- Qes: 1.485
- Qms: 7.957
- Qts: 1.251
- Crossover Point: 6600Hz

\*40W RMS: Long-term maximum power refer to IEC 60268

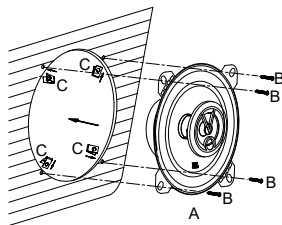
20W RMS: 100H continuous testing at rated power refers to IEC 60268

# Stage1 42F

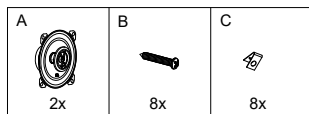
## Dimensions



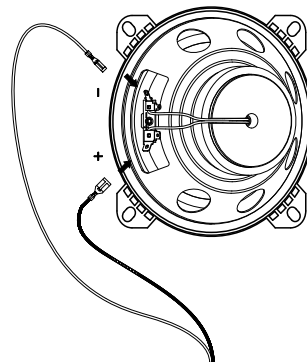
## Installation



## Contenu de la boîte



## Connexion



## Caractéristiques

- Haut-parleur : Haut-parleur de voiture coaxial de 4" (100 mm) sans grille
- Puissance admissible : \*40 W RMS, 320 W crête
- Sensibilité (à 2,83 V) : 88 dB
- Réponse en fréquence : 85Hz – 20kHz
- Impédance nominale : 4 ohms

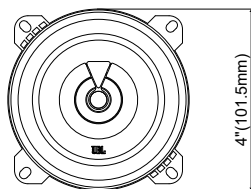
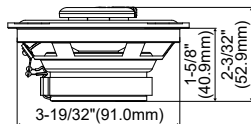
## Paramètres de Thiele-Small

- BL (Tm) : 2.521
- DCR (Ohms) : 3.24
- Mms (g) : 4.03
- Sd (cm<sup>2</sup>) : 50.27
- Cms (um/N) : 474
- Vas (L) : 1.6958
- Fs (Hz) : 115.1
- Qes : 1.485
- Qms : 7.957
- Qts : 1.251
- Point de croisement : 6600Hz

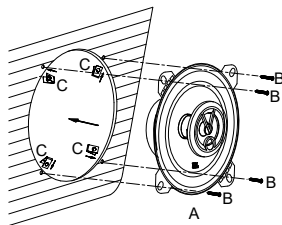
\*40W RMS : La puissance maximale à long terme se réfère à IEC 60268  
20W RMS : Le test continu 100H à puissance nominale se réfère à IEC 60268

# Stage1 42F

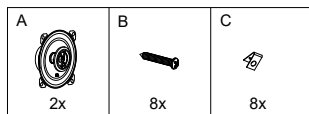
## Mål



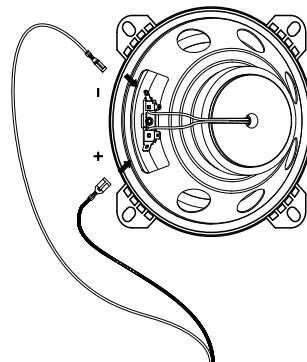
## Installation



## Hvad er der i æsken



## Forbindelse



## Specifikationer

- Højttaler: 4" (100 mm) koaksial bilhøjttaler med gitter
- Effekthåndtering: \*40 W RMS, 320 W spidsbelastning
- Følsomhed (ved 2,83V): 88 dB
- Frekvensområde: 85Hz – 20kHz
- Nominel impedans: 4 ohm

## Thiele-Small-parametre

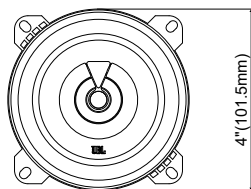
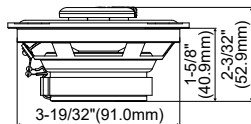
- BL (Tm): 2.521
- DCR (ohm): 3.24
- Mms (g): 4.03
- Sd (cm<sup>2</sup>): 50.27
- Cms (um/N): 474
- Vas (L): 1.6958
- Fs (Hz): 115.1
- Qes: 1.485
- Qms: 7.957
- Qts: 1.251
- Overgangspunkt: 6600Hz

\*40W RMS: Maksimal effekt på lang sigt i henhold til IEC 60268

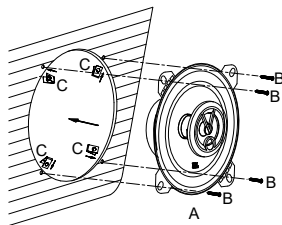
20W RMS: 100 timers kontinuerlig test ved nominal effekt refererer til IEC 60268

# Stage1 42F




## Abmessungen



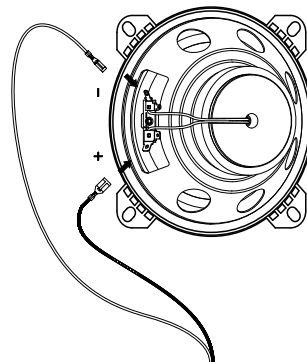
## Installation



## Verpackungsinhalt

 A 2x	 B 8x	 C 8x
--	--	--

## Verbindung



## Technische Daten

- Lautsprecher: 4 Zoll (100 mm) Koaxial-Autolautsprecher ohne Grill
- Belastbarkeit: \*40 W (eff), 320 W (Spitze)
- Empfindlichkeit (bei 2,83 V): 88 dB
- Frequenzgang: 85Hz – 20kHz
- Nennimpedanz: 4 Ohm

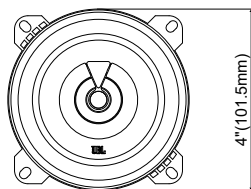
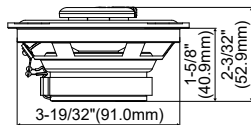
## Thiele-Small-Parameter

- BL (Tm): 2.521
- DCR (Ohm): 3.24
- Mms (g): 4.03
- Sd (cm<sup>2</sup>): 50.27
- Cms (µm/N): 474
- Vas (L): 1.6958
- Fs (Hz): 115.1
- Qes: 1.485
- Qms: 7.957
- Qts: 1.251
- Crossover-Punkt: 6600Hz

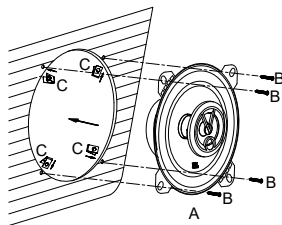
\*40W RMS: Langfristig maximale Leistung gemäß IEC 60268  
20W RMS: 100 Stunden Dauertest bei Nennleistung gemäß IEC 60268

# Stage1 42F

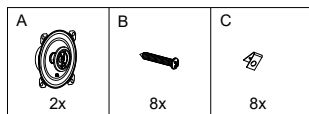
## Dimensiones



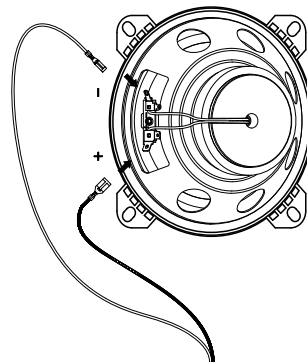
## Instalación



## Contenido de la caja



## Conexión



## Especificaciones

- Altavoz: Altavoces coaxiales de 4" (100 mm) sin rejilla para coche
- Capacidad de potencia: \*40 W RMS, 320 W pico
- Sensibilidad (2,83 V): 88 dB
- Respuesta en frecuencia: 85Hz – 20kHz
- Impedancia nominal: 4 ohmios

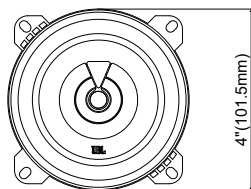
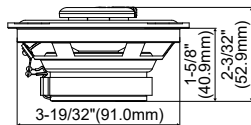
## Parámetros Thiele-Small

- BL (Tm): 2.521
- DCR (Ohms): 3.24
- Mms (g): 4.03
- Sd (cm<sup>2</sup>): 50.27
- Cms (um/N): 474
- Vas (L): 1.6958
- Fs (Hz): 115.1
- Qes: 1.485
- Qms: 7.957
- Qts: 1.251
- Punto de corte de frecuencia: 6600Hz

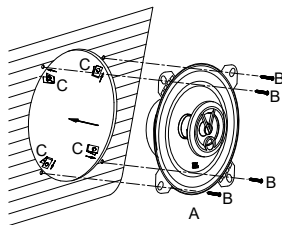
\*40W RMS: Potencia máxima a largo plazo según la normativa IEC 60268  
20W RMS: Prueba continua de 100 horas a potencia nominal según la normativa IEC 60268

# Stage1 42F

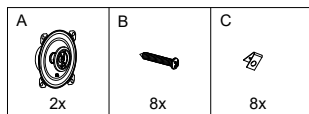
## Mitat



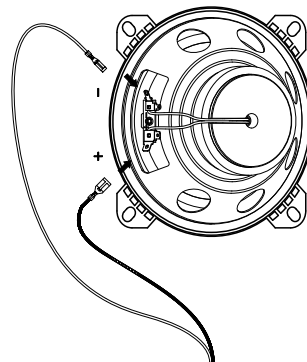
## Asennus



## Pakkauksen sisältö



## Liitäntä



## Tekniset tiedot

- Kaiutin: 4" (100 mm) koaksiaalinen ritilätön autokaiutin
- Tehonkesto: \*40W RMS, 320W huippu
- Herkkyys (@2,83 V): 88dB
- Taajuusvaste: 85Hz – 20kHz
- Nimellisimpedanssi: 4 ohmia

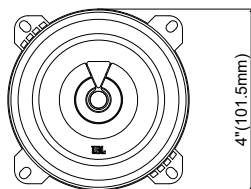
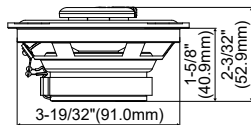
## Thiele-Small-parametrit

- BL (Tm): 2.521
- DCR (Ohmia): 3.24
- Mms (g): 4.03
- Sd (cm<sup>2</sup>): 50.27
- Cms (um/N): 474
- Vas (L): 1.6958
- Fs (Hz): 115.1
- Qes: 1.485
- Qms: 7.957
- Qts: 1.251
- Crossover-kohta: 6600Hz

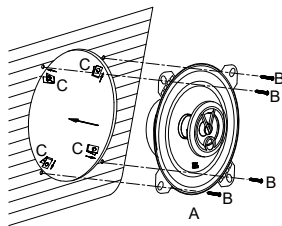
\*40W RMS: Pitkäaikainen enimmäisteho on IEC 60268:n mukainen  
20W RMS: 100h jatkuva testaus nimellisteholla viittaa standardiin IEC 60268

# Stage1 42F

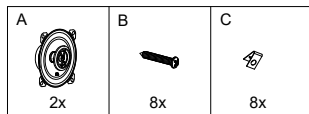
## Dimensioni



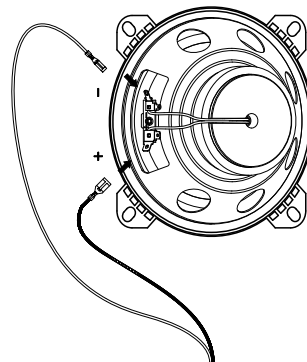
## Installazione



## Contenuto della confezione



## Collegamento



## Specifiche

- Altoparlante: Altoparlante coassiale per auto da 4" (100 mm), senza griglia
- Capacità di gestione della potenza: \*40 W RMS, 320 W picco
- Sensibilità (a 2,83V): 88 dB
- Risposta in frequenza: 85Hz – 20kHz
- Impedenza nominale: 4 ohm

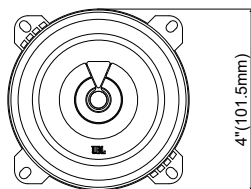
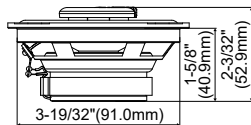
## Thiele-Small Parameters

- BL (Tm): 2.521
- DCR (Ohm): 3.24
- Mms (g): 4.03
- Sd (cm<sup>2</sup>): 50.27
- Cms (um/N): 474
- Vas (L): 1.6958
- Fs (Hz): 115.1
- Qes: 1.485
- Qms: 7.957
- Qts: 1.251
- Punto di crossover: 6600Hz

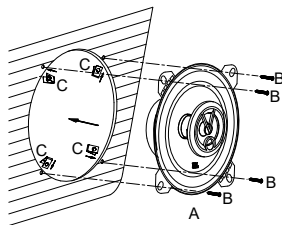
\*40W RMS: La potenza massima a lungo termine fa riferimento alla norma IEC 60268  
20W RMS: Il test continuo di 100 ore alla potenza nominale fa riferimento alla norma IEC 60268

# Stage1 42F

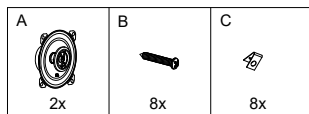
## Afmetingen



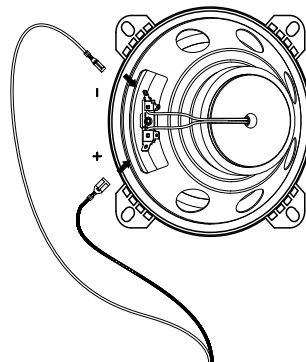
## Installatie



## Verpakkingsinhoud



## Verbinding



## Specificaties

- Luidspreker: 100 mm (4 inch) coaxiale autoluidspreker zonder rooster
- Vermogen: \*40 W RMS, 320 W piek
- Gevoeligheid (2,83 V): 88 dB
- Frequentierespons: 85Hz – 20kHz
- Nominale impedantie: 4 ohm

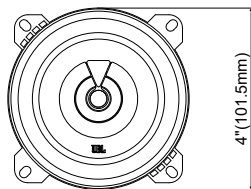
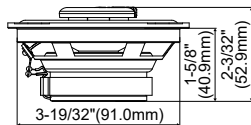
## Thiele-kleine parameters

- BL (Tm): 2.521
- DCR (Ohms): 3.24
- Mms (g): 4.03
- Sd (cm<sup>2</sup>): 50.27
- Cms (um/N): 474
- Vas (L): 1.6958
- Fs (Hz): 115.1
- Qes: 1.485
- Qms: 7.957
- Qts: 1.251
- Crossover Point: 6600Hz

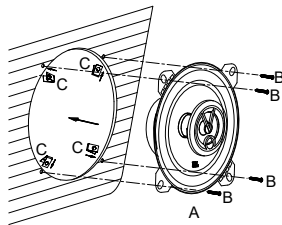
\*40W RMS: Maximaal vermogen op lange termijn zie IEC 60268  
20W RMS: 100H continu testen bij nominaal vermogen verwijst naar IEC 60268

# Stage1 42F

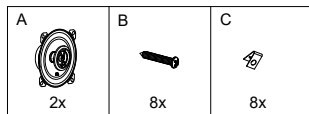
## Mål



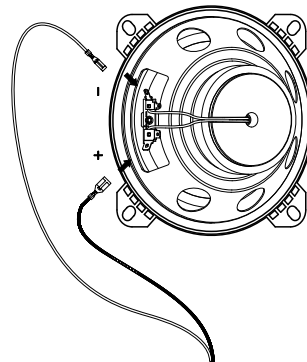
## Installering



## Eskens innhold



## Tilkobling



## Spesifikasjoner

- Høyttaler: 4" (100 mm) Koaksial bilhøyttaler uten gitter
- Effekthåndtering: \*40 W RMS, 320 W topp
- Følsomhet (@2,83 V): 88 dB
- Frekvensrespons: 85Hz – 20kHz
- Nominell impedans: 4ohms

## Thiele-Small-parametre

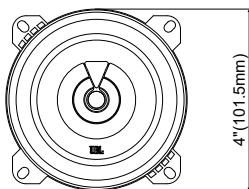
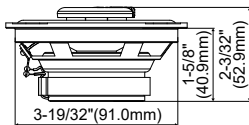
- BL (Tm): 2.521
- DCR (Ohms): 3.24
- Mms (g): 4.03
- Sd (cm<sup>2</sup>): 50.27
- Cms (um/N): 474
- Vas (L): 1.6958
- Fs (Hz): 115.1
- Qes: 1.485
- Qms: 7.957
- Qts: 1.251
- Krysspunkt: 6600Hz

\*40W RMS: Maksimal effekt over lang tid henviser til IEC 60268

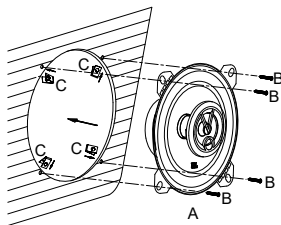
20W RMS: 100 H kontinuerlig testing ved nominell effekt henviser til IEC 60268

# Stage1 42F

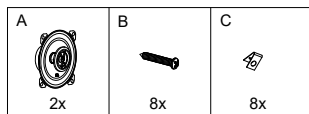
## Mått



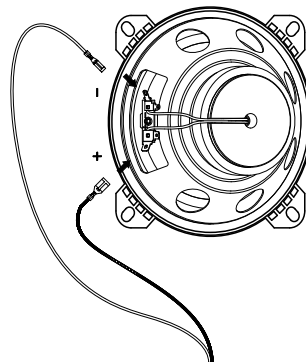
## Installation



## Vad finns i lådan



## Anslutning



## Specifikationer

- Högtalare: 4-tums (100 mm) koaxial bilhögtalare utan galler
- Effekthantering: \*40 W RMS, 320 W max
- Känslighet (2,83 V): 88 dB
- Frekvensåtergivning: 85Hz – 20kHz
- Nominell impedans: 4 ohm

## Thiele-små parametrar

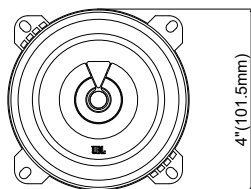
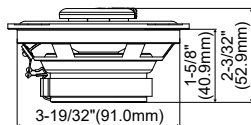
- BL (Tm): 2.521
- DCR (ohm): 3.24
- Mms (g): 4.03
- Sd (cm<sup>2</sup>): 50.27
- Cms (um/N): 474
- Vas (L): 1.6958
- Fs (Hz): 115.1
- Qes: 1.485
- Qms: 7.957
- Qts: 1.251
- Delningsfrekvens: 6600Hz

\*40W RMS: Långsiktig maximal effekt enligt IEC 60268

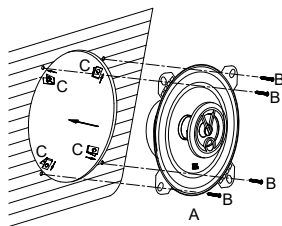
20W RMS: 100H kontinuerlig testning vid nominell effekt refererar till IEC 60268

# Stage1 42F




## 尺寸



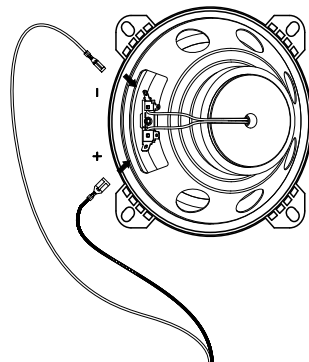
## 安装



## 产品清单

 A 2x	 B 8x	 C 8x
--	--	--

## 连接



## 参数规格

- 扬声器: 4" (100mm) 同轴车载扬声器 (无网罩)
- 功率处理能力: \*40W RMS (峰值为 320W)
- 灵敏度 (@2.83V): 88dB
- 频率响应: 85Hz - 20kHz
- 标称阻抗: 4Ω

## Thiele-Small 参数

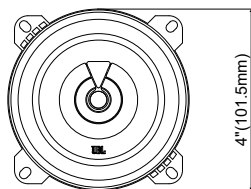
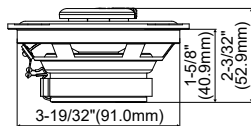
- BL (Tm): 2.521
- DCR (Ohms): 3.24
- Mms (g): 4.03
- Sd (cm<sup>2</sup>): 50.27
- Cms (um/N): 474
- Vas (L): 1.6958
- Fs (Hz): 115.1
- Qes: 1.485
- Qms: 7.957
- Qts: 1.251
- 分频点: 6600Hz

\*40W RMS: 参照 IEC 60268 标准的长期最大功率

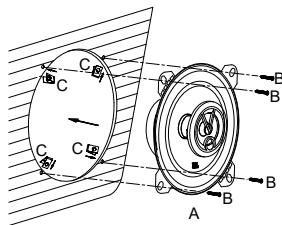
20W RMS: 参照 IEC 60268 标准, 在额定功率下连续测试 100 小时

# Stage1 42F

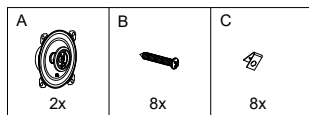
## 尺寸



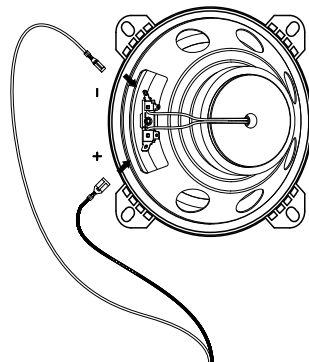
## 安裝



## 包裝盒內物品



## 連接



## 規格

- 喇叭：4" (100mm) 同軸車載喇叭，無網罩
- 功率處理：40W RMS，320W 峰值
- 靈敏度 (@2.83V)：88dB
- 頻率回應：85Hz - 20kHz
- 標稱阻抗：4ohms

## Thiele-Small 參數

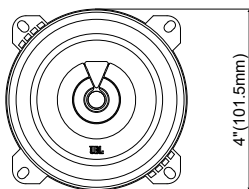
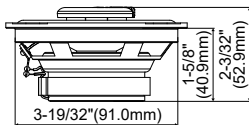
- BL (Tm): 2.521
- DCR (歐姆)：3.24
- Mms (g): 4.03
- Sd (cm<sup>2</sup>): 50.27
- Cms (um/N): 474
- Vas (L): 1.6958
- Fs (Hz): 115.1
- Qes: 1.485
- Qms: 7.957
- Qts: 1.251
- 分頻點：6600Hz

\*40W RMS: 長期最大功率，請參考 IEC 60268

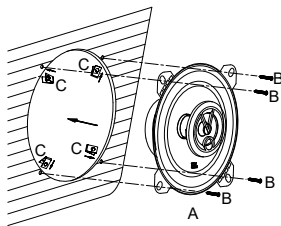
20W RMS: 於額定功率下進行 100H 持續測試，請參考 IEC 60268

# Stage1 42F

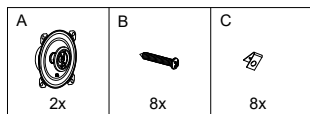
## Dimensi



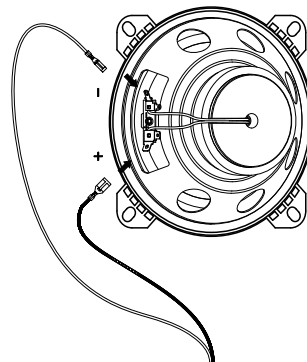
## Instalasi



## Isi kotak



## Sambungan



## Spesifikasi

- Speaker: Speaker Mobil Koaksial 4" (100mm) tanpa Gril
- Penanganan Daya: \*40 W RMS, 320 W puncak
- Sensitivitas (@2,83V): 88 dB
- Respons Frekuensi: 85Hz – 20kHz
- Impedansi Nominal: 4 ohm

## Parameter Thiele-Small

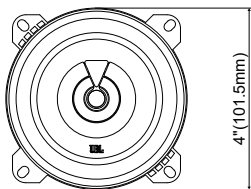
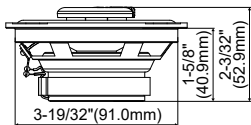
- BL (Tm): 2.521
- DCR (Ohm): 3.24
- Mms (g): 4.03
- Sd (cm<sup>2</sup>): 50.27
- Cms (um/N): 474
- Vas (L): 1.6958
- Fs (Hz): 115.1
- Qes: 1.485
- Qms: 7.957
- Qts: 1.251
- Titik Crossover: 6600Hz

\*40W RMS: Daya maksimum jangka panjang merujuk pada IEC 60268

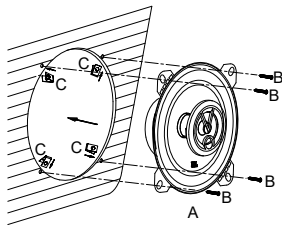
20W RMS: Pengujian terus-menerus selama 100 jam pada daya terukur merujuk pada IEC 60268

# Stage1 42F

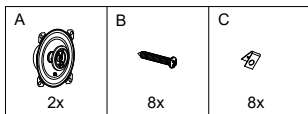
치수



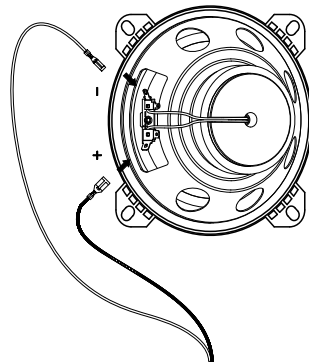
설치



구성품



연결



사양

- 스피커: 4인치(100mm) 동축 차량 스피커(그릴 미포함)
- 파워 핸들링: 40W RMS, 최대 320W
- 민감도(@2.83V): 88dB
- 주파수 응답: 85Hz - 20kHz
- 공칭 임피던스: 4ohms

틸스몰 파라미터

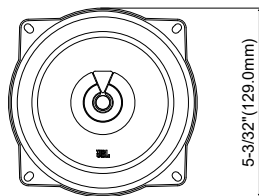
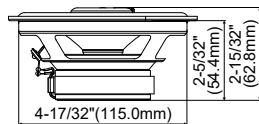
- BL (Tm): 2.521
- DCR (Ω): 3.24
- Mms (g): 4.03
- Sd (cm<sup>2</sup>): 50.27
- Cms (um/N): 474
- Vas (L): 1.6958
- Fs (Hz): 115.1
- Qes: 1.485
- Qms: 7.957
- Qts: 1.251
- 크로스오버 포인트: 6600Hz

\*40W RMS: 장기 최대 출력은 IEC 60268을 참조합니다

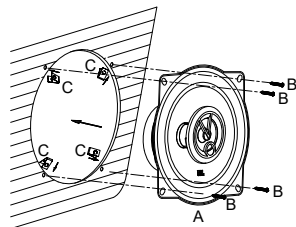
20W RMS: 정격 전력에서의 100H 연속 테스트는 IEC 60268을 참조합니다

# Stage1 52F

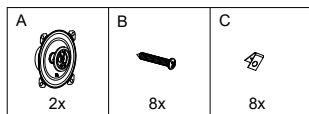
## Dimension



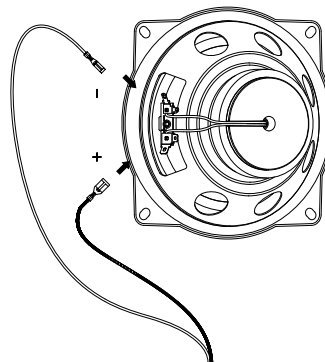
## Installation



## What's in the Box



## Connection



## Specifications

- Speaker: 5.25" (130mm) Coaxial Car Speaker without Grille
- Power Handling: \*40W RMS, 320W peak
- Sensitivity (@2.83V): 88dB
- Frequency Response: 60Hz-20kHz
- Nominal Impedance: 4ohm

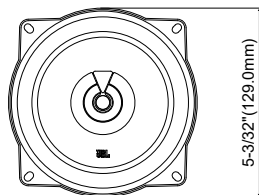
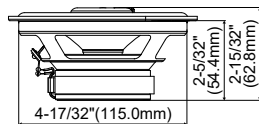
## Thiele-Small Parameters

- BL (Tm): 2.515
- DCR (Ohms): 3.18
- Mms (g): 6.512
- Sd (cm<sup>2</sup>): 84.95
- Cms (um/N): 561
- Vas (L): 5.728
- Fs (Hz): 83.3
- Qes: 1.715
- Qms: 9.227
- Qts: 1.446
- Crossover Point: 5800Hz

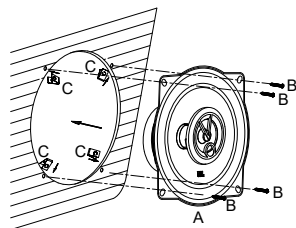
\*40W RMS: Long-term maximum power refer to IEC 60268  
20W RMS: 100H continuous testing at rated power refers to IEC 60268

# Stage1 52F

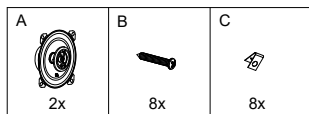
## Dimensions



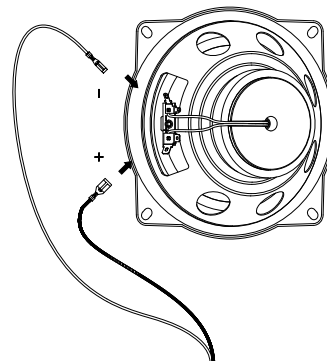
## Installation



## Contenu de la boîte



## Connexion



## Caractéristiques

- Haut-parleur : Haut-parleur de voiture coaxial de 5,25" (130 mm) sans grille
- Puissance admissible : \*40 W RMS, 320 W crête
- Sensibilité (à 2,83 V) : 88 dB
- Réponse en fréquence : 60Hz – 20kHz
- Impédance nominale : 4 ohms

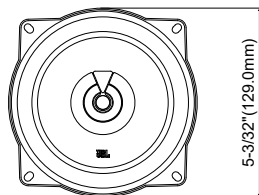
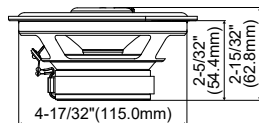
## Paramètres de Thiele-Small

- BL (Tm) : 2.515
- DCR (Ohms) : 3.18
- Mms (g) : 6.512
- Sd (cm<sup>2</sup>) : 84.95
- Cms (um/N) : 561
- Vas (L) : 5.728
- Fs (Hz) : 83.3
- Qes : 1.715
- Qms : 9.227
- Qts : 1.446
- Point de croisement : 5800Hz

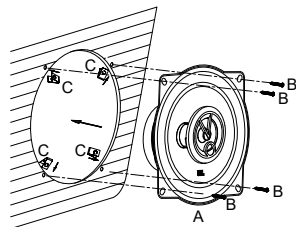
\*40W RMS : La puissance maximale à long terme se réfère à IEC 60268  
20W RMS : Le test continu 100H à puissance nominale se réfère à IEC 60268

# Stage1 52F

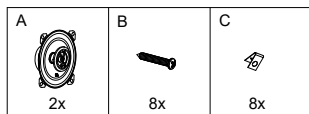
## Mål



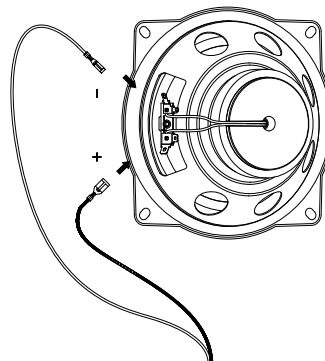
## Installation



## Hvad er der i æsken



## Forbindelse



## Specifikationer

- Højttaler: 5,25" (130 mm) koaksial bilhøjttaler med gitter
- Effekthåndtering: \*40 W RMS, 320 W spidsbelastning
- Følsomhed (ved 2,83V): 88 dB
- Frekvensområde: 60Hz – 20kHz
- Nominel impedans: 4 ohm

## Thiele-Small-parametre

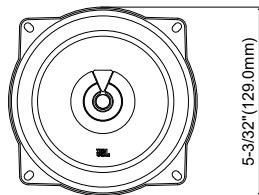
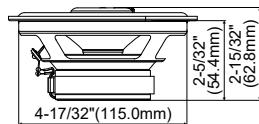
- BL (Tm): 2.515
- DCR (ohm): 3.18
- Mms (g): 6.512
- Sd (cm<sup>2</sup>): 84.95
- Cms (um/N): 561
- Vas (L): 5.728
- Fs (Hz): 83.3
- Qes: 1.715
- Qms: 9.227
- Qts: 1.446
- Overgangspunkt: 5800Hz

\*40W RMS: Maksimal effekt på lang sigt i henhold til IEC 60268

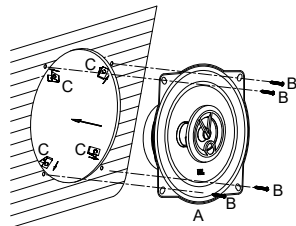
20W RMS: 100 timers kontinuerlig test ved nominal effekt refererer til IEC 60268

# Stage1 52F

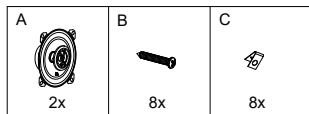
## Abmessungen



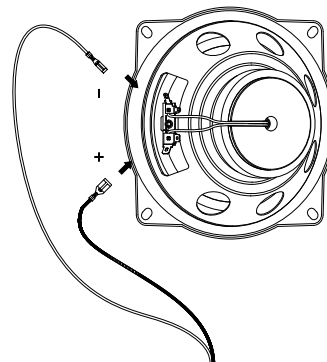
## Installation



## Verpackungsinhalt



## Verbindung



## Technische Daten

- Lautsprecher: 5,25 Zoll (130 mm)  
Koaxial-Autolautsprecher ohne Grill
- Belastbarkeit: \*40 W (eff), 320 W (Spitze)
- Empfindlichkeit (bei 2,83 V): 88 dB
- Frequenzgang: 60Hz – 20kHz
- Nennimpedanz: 4 Ohm

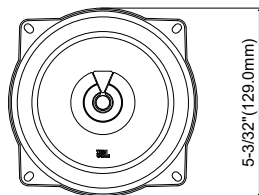
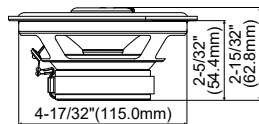
## Thiele-Small-Parameter

- BL (Tm): 2.515
- DCR (Ohm): 3.18
- Mms (g): 6.512
- Sd (cm<sup>2</sup>): 84.95
- Cms (µm/N): 561
- Vas (L): 5.728
- Fs (Hz): 83.3
- Qes: 1.715
- Qms: 9.227
- Qts: 1.446
- Crossover-Punkt: 5800Hz

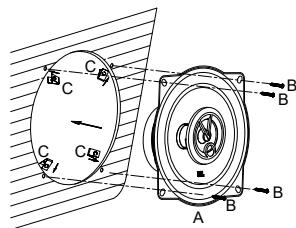
\*40W RMS: Langfristig maximale Leistung gemäß IEC 60268  
20W RMS: 100 Stunden Dauertest bei Nennleistung gemäß IEC 60268

# Stage1 52F

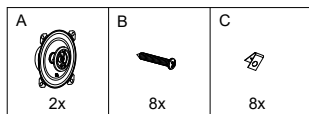
## Dimensiones



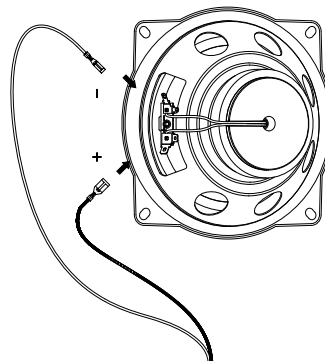
## Instalación



## Contenido de la caja



## Conexión



## Especificaciones

- Altavoz: Altavoces coaxiales de 5,25" (130 mm) sin rejilla para coche
- Capacidad de potencia: \*40 W RMS, 320 W pico
- Sensibilidad (2,83 V): 88 dB
- Respuesta en frecuencia: 60Hz – 20kHz
- Impedancia nominal: 4 ohmios

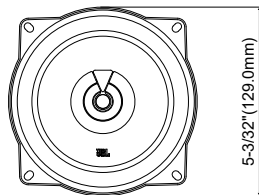
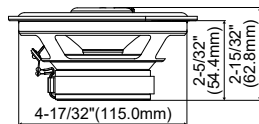
## Parámetros Thiele-Small

- BL (Tm): 2.515
- DCR (Ohms): 3.18
- Mms (g): 6.512
- Sd (cm<sup>2</sup>): 84.95
- Cms (um/N): 561
- Vas (L): 5.728
- Fs (Hz): 83.3
- Qes: 1.715
- Qms: 9.227
- Qts: 1.446
- Punto de corte de frecuencia: 5800Hz

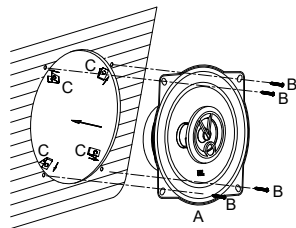
\*40W RMS: Potencia máxima a largo plazo según la normativa IEC 60268  
20W RMS: Prueba continua de 100 horas a potencia nominal según la normativa IEC 60268

# Stage1 52F

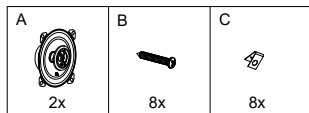
## Mitat



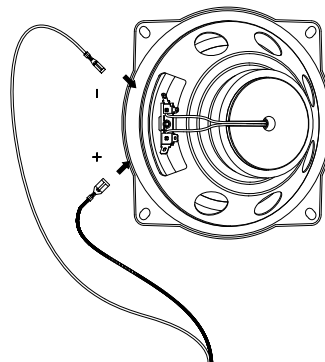
## Asennus



## Pakkauksen sisältö



## Liitäntä



## Tekniset tiedot

- Kaiutin: 5,25" (130 mm) koaksiaalinen ritilätön autokaiutin
- Tehonkesto: \*40W RMS, 320W huippu
- Herkkyys (@2,83 V): 88dB
- Taajuusvaste: 60Hz – 20kHz
- Nimellisimpedanssi: 4 ohmia

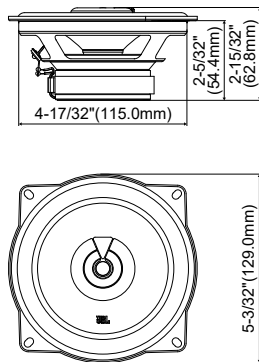
## Thiele-Small-parametrit

- BL (Tm): 2.515
- DCR (Ohmia): 3.18
- Mms (g): 6.512
- Sd (cm<sup>2</sup>): 84.95
- Cms (um/N): 561
- Vas (L): 5.728
- Fs (Hz): 83.3
- Qes: 1.715
- Qms: 9.227
- Qts: 1.446
- Crossover-kohta: 5800Hz

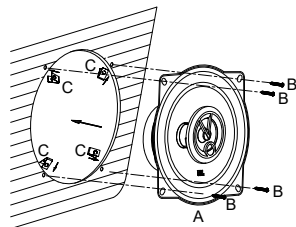
\*40W RMS: Pitkäaikainen enimmäisteho on IEC 60268:n mukainen  
20W RMS: 100h jatkuva testaus nimellisteholla viittaa standardiin IEC 60268

# Stage1 52F

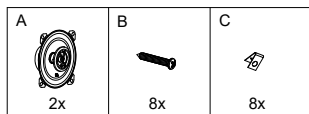
## Dimensioni



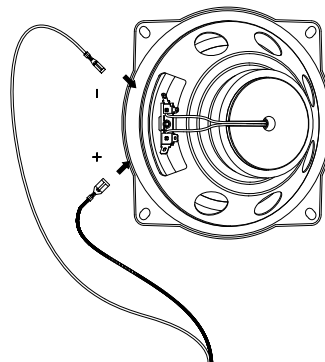
## Installazione



## Contenuto della confezione



## Collegamento



## Specifiche

- Altoparlante: Altoparlante coassiale per auto da 5,25" (130 mm), senza griglia
- Capacità di gestione della potenza: \*40 W RMS, 320 W picco
- Sensibilità (a 2,83V): 88 dB
- Risposta in frequenza: 60Hz – 20kHz
- Impedenza nominale: 4 ohm

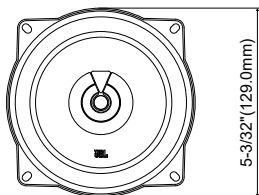
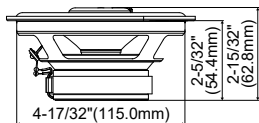
## Thiele-Small Parameters

- BL (Tm): 2.515
- DCR (Ohm): 3.18
- Mms (g): 6.512
- Sd (cm<sup>2</sup>): 84.95
- Cms (um/N): 561
- Vas (L): 5.728
- Fs (Hz): 83.3
- Qes: 1.715
- Qms: 9.227
- Qts: 1.446
- Punto di crossover: 5800Hz

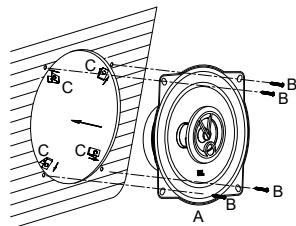
\*40W RMS: La potenza massima a lungo termine fa riferimento alla norma IEC 60268  
20W RMS: Il test continuo di 100 ore alla potenza nominale fa riferimento alla norma IEC 60268

# Stage1 52F

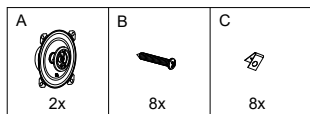
## Afmetingen



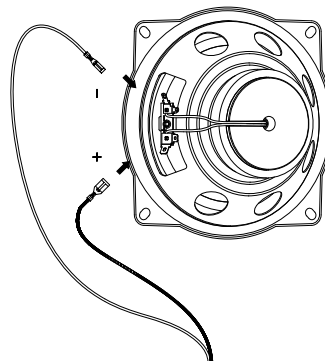
## Installatie



## Verpakkingsinhoud



## Verbinding



## Specificaties

- Luidspreker: 130 mm (5,25 inch) coaxiale autoluidspreker zonder rooster
- Vermogen: \*40 W RMS, 320 W piek
- Gevoeligheid (2,83 V): 88 dB
- Frequentierespons: 60Hz – 20kHz
- Nominale impedantie: 4 ohm

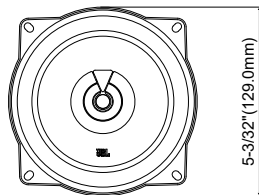
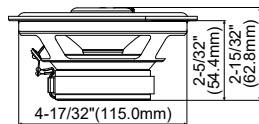
## Thiele-kleine parameters

- BL (Tm): 2.515
- DCR (Ohms): 3.18
- Mms (g): 6.512
- Sd (cm<sup>2</sup>): 84.95
- Cms (um/N): 561
- Vas (L): 5.728
- Fs (Hz): 83.3
- Qes: 1.715
- Qms: 9.227
- Qts: 1.446
- Crossover Point: 5800Hz

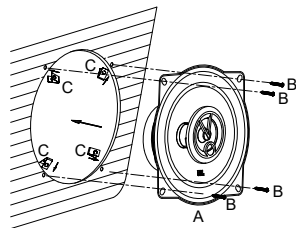
\*40W RMS: Maximaal vermogen op lange termijn zie IEC 60268  
20W RMS: 100H continu testen bij nominaal vermogen verwijst naar IEC 60268

# Stage1 52F

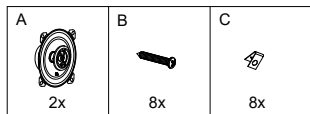
## Mål



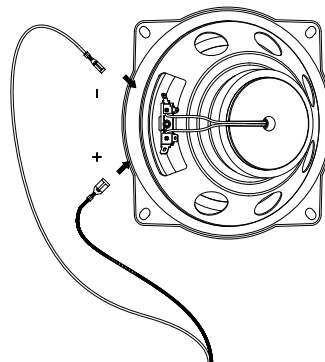
## Installering



## Eskens innhold



## Tilkobling



## Spesifikasjoner

- Høyttaler: 5,25" (130 mm) Koaksial bilhøyttaler uten gitter
- Effekthåndtering: \*40 W RMS, 320 W topp
- Følsomhet (@2,83 V): 88 dB
- Frekvensrespons: 60Hz – 20kHz
- Nominell impedans: 4ohms

## Thiele-Small-parametre

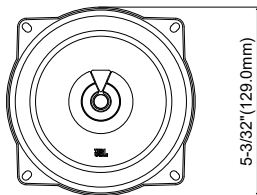
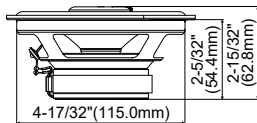
- BL (Tm): 2.515
- DCR (Ohms): 3.18
- Mms (g): 6.512
- Sd (cm<sup>2</sup>): 84.95
- Cms (um/N): 561
- Vas (L): 5.728
- Fs (Hz): 83.3
- Qes: 1.715
- Qms: 9.227
- Qts: 1.446
- Krysspunkt: 5800Hz

\*40W RMS: Maksimal effekt over lang tid henviser til IEC 60268

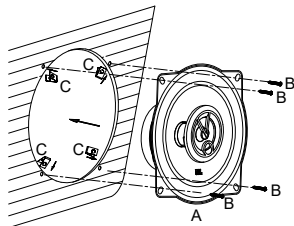
20W RMS: 100 H kontinuerlig testing ved nominell effekt henviser til IEC 60268

# Stage1 52F

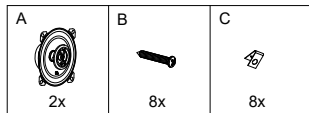
## Mått



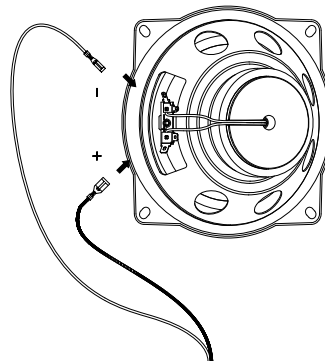
## Installation



## Vad finns i lådan



## Anslutning



## Specifikationer

- Högtalare: 5,25-tums (130 mm) koaxial bilhögtalare utan galler
- Effekthantering: \*40 W RMS, 320 W max
- Känslighet (2,83 V): 88 dB
- Frekvensåtergivning: 60Hz – 20kHz
- Nominell impedans: 4 ohm

## Thiele-små parametrar

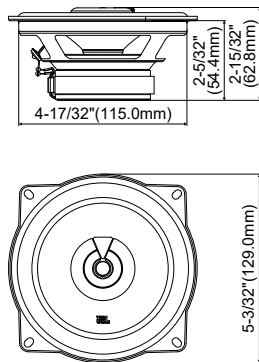
- BL (Tm): 2.515
- DCR (ohm): 3.18
- Mms (g): 6.512
- Sd (cm<sup>2</sup>): 84.95
- Cms (um/N): 561
- Vas (L): 5.728
- Fs (Hz): 83.3
- Qes: 1.715
- Qms: 9.227
- Qts: 1.446
- Delningsfrekvens: 5800Hz

\*40W RMS: Långsiktig maximal effekt enligt IEC 60268

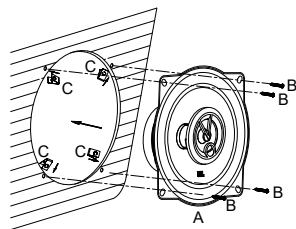
20W RMS: 100H kontinuerlig testning vid nominell effekt refererar till IEC 60268

# Stage1 52F

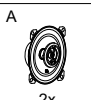
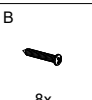
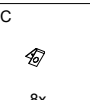
## 尺寸



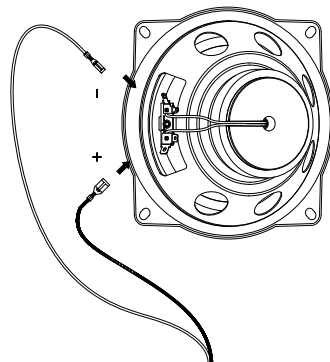
## 安装



## 产品清单

 A 2x	 B 8x	 C 8x
--	--	--

## 连接



## 参数规格

- 扬声器: 5.25" (130mm) 同轴车载扬声器 (无网罩)
- 功率处理能力: \*40W RMS (峰值为 320W)
- 灵敏度 (@2.83V): 88dB
- 频率响应: 60Hz - 20kHz
- 标称阻抗: 4Ω

## Thiele-Small 参数

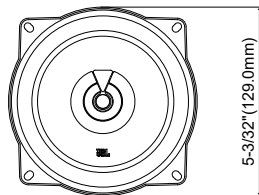
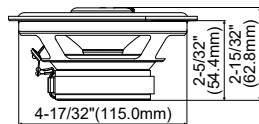
- BL (Tm): 2.515
- DCR (Ohms): 3.18
- Mms (g): 6.512
- Sd (cm<sup>2</sup>): 84.95
- Cms (um/N): 561
- Vas (L): 5.728
- Fs (Hz): 83.3
- Qes: 1.715
- Qms: 9.227
- Qts: 1.446
- 分频点: 5800Hz

\*40W RMS: 参照 IEC 60268 标准的长期最大功率

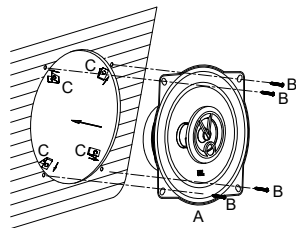
20W RMS: 参照 IEC 60268 标准, 在额定功率下连续测试 100 小时

# Stage1 52F

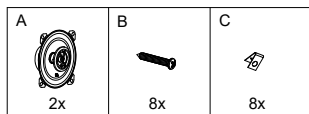
## 尺寸



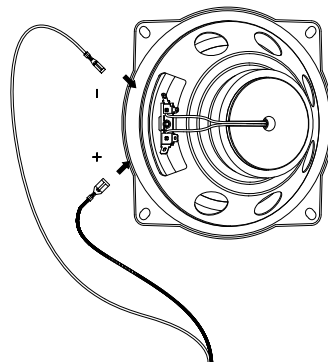
## 安裝



## 包裝盒內物品



## 連接



## 規格

- 喇叭：5.25" (130mm) 同軸車載喇叭，無網罩
- 功率處理：\*40W RMS，320W 峰值
- 靈敏度 (@2.83V)：88dB
- 頻率回應：60Hz - 20kHz
- 標稱阻抗：4ohms

## Thiele-Small 參數

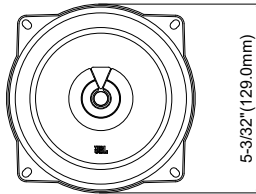
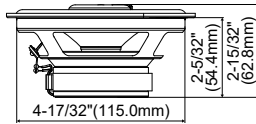
- BL (Tm): 2.515
- DCR (歐姆)：3.18
- Mms (g): 6.512
- Sd (cm<sup>2</sup>): 84.95
- Cms (um/N): 561
- Vas (L): 5.728
- Fs (Hz): 83.3
- Qes: 1.715
- Qms: 9.227
- Qts: 1.446
- 分頻點：5800Hz

\*40W RMS: 長期最大功率，請參考 IEC 60268

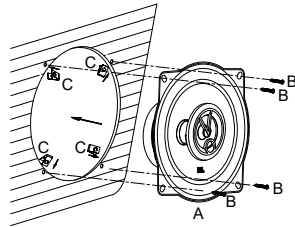
20W RMS: 於額定功率下進行 100H 持續測試，請參考 IEC 60268

# Stage1 52F

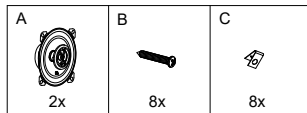
## Dimensi



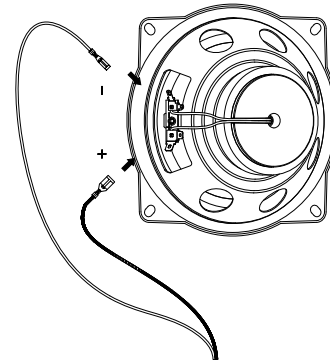
## Instalasi



## Isi kotak



## Sambungan



## Spesifikasi

- Speaker: Speaker Mobil Koaksial 5,25" (130mm) tanpa Gril
- Penanganan Daya: \*40 W RMS, 320 W puncak
- Sensitivitas (@2,83V): 88 dB
- Respons Frekuensi: 60Hz – 20kHz
- Impedansi Nominal: 4 ohm

## Parameter Thiele-Small

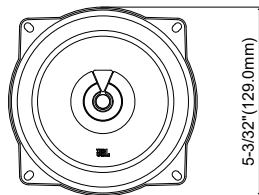
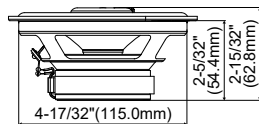
- BL (Tm): 2.515
- DCR (Ohm): 3.18
- Mms (g): 6.512
- Sd (cm<sup>2</sup>): 84.95
- Cms (um/N): 561
- Vas (L): 5.728
- Fs (Hz): 83.3
- Qes: 1.715
- Qms: 9.227
- Qts: 1.446
- Titik Crossover: 5800Hz

\*40W RMS: Daya maksimum jangka panjang merujuk pada IEC 60268

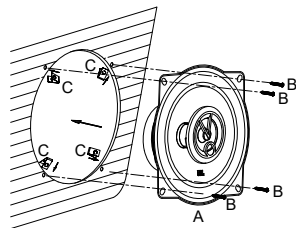
20W RMS: Pengujian terus-menerus selama 100 jam pada daya terukur merujuk pada IEC 60268

# Stage1 52F

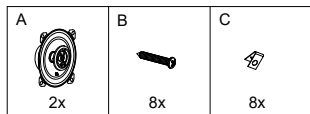
치수



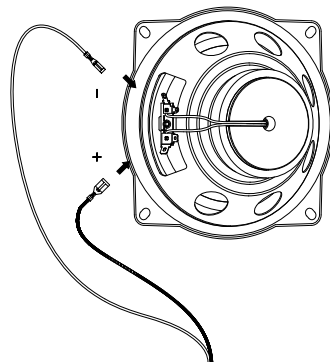
설치



구성품



연결



사양

- 스피커: 5.25인치(130mm) 동축 차량 스피커(그릴 미포함)
- 파워 핸들링: \*40W RMS, 최대 320W
- 민감도(@2.83V): 88dB
- 주파수 응답: 60Hz - 20kHz
- 공칭 임피던스: 4ohms

틸스몰 파라미터

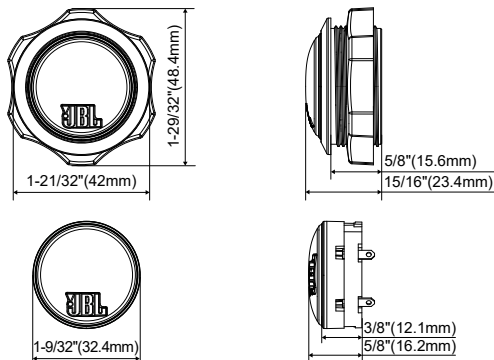
- BL (Tm): 2.515
- DCR (Ω): 3.18
- Mms (g): 6.512
- Sd (cm<sup>2</sup>): 84.95
- Cms (um/N): 561
- Vas (L): 5.728
- Fs (Hz): 83.3
- Qes: 1.715
- Qms: 9.227
- Qts: 1.446
- 크로스오버 포인트: 5800Hz

\*40W RMS: 장기 최대 출력은 IEC 60268을 참조합니다

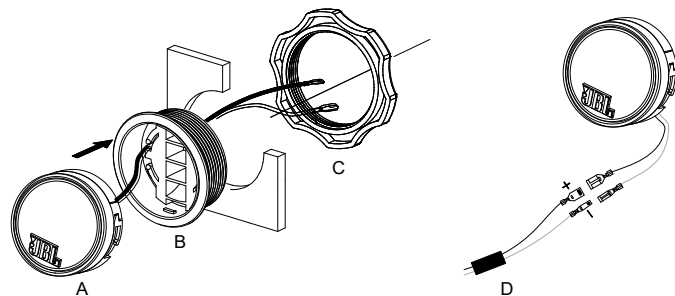
20W RMS: 정격 전력에서의 100H 연속 테스트는 IEC 60268을 참조합니다

# Stage1 192T

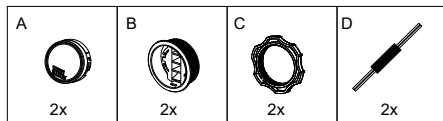
## Dimension



## Installation



## What's in the Box



## Specifications

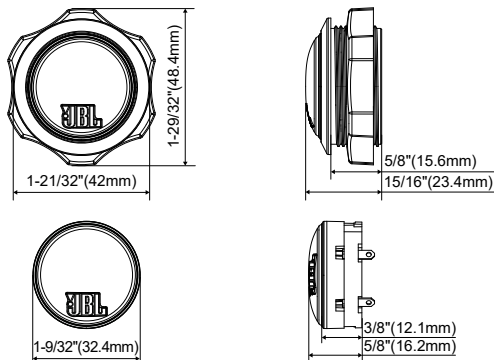
- Speaker: 3/4" (19mm) Edge-Driven Silk Dome Tweeter
- Power Handling: \*80W RMS with Filter, 640W peak
- Sensitivity (@2.83V): 90dB
- Frequency Response: 2kHz – 20kHz
- Nominal Impedance: 4ohm

\*80W RMS: Long-term maximum power refer to IEC 60268

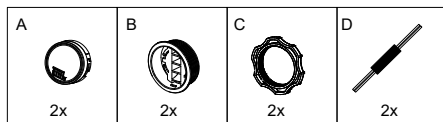
40W RMS: 100H continuous testing at rated power refers to IEC 60268

# Stage1 192T

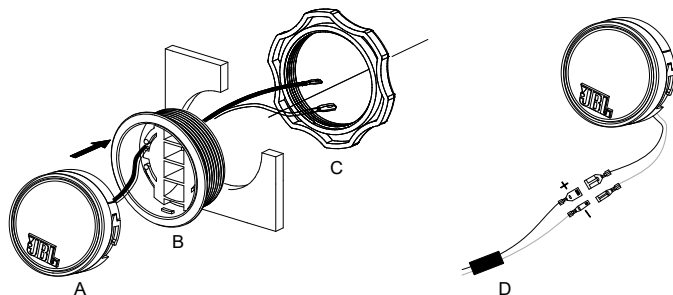
## Dimensions



## Contenu de la boîte



## Installation



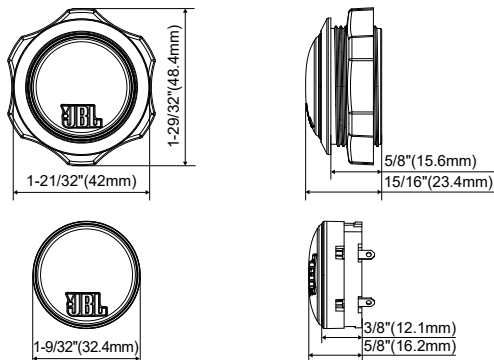
## Caractéristiques

- Haut-parleur : Tweeter à dôme en soie étirée 3/4" (19 mm)
- Puissance admissible : \*80 W RMS avec filtre, 640 W crête
- Sensibilité (à 2,83 V) : 90 dB
- Réponse en fréquence : 2 kHz – 20 kHz
- Impédance nominale : 4 ohms

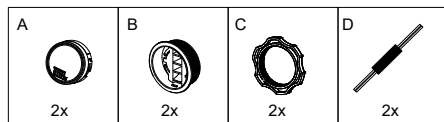
\*80W RMS : La puissance maximale à long terme se réfère à IEC 60268  
40W RMS : Le test continu 100H à puissance nominale se réfère à IEC 60268

# Stage1 192T

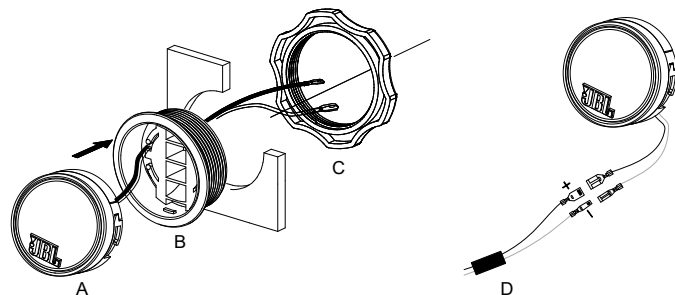
## Mål



## Hvad er der i æsken



## Installation



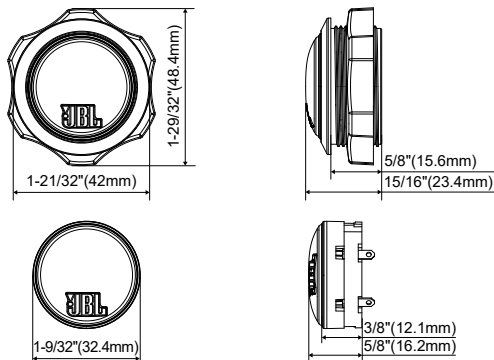
## Specifikationer

- Højttaler:  $3/4'' (19\text{ mm})$  kantdrevet silke-dome diskant
- Effekthåndtering: \*80 W RMS med filter, 640 W spidsbelastning
- Følsomhed (ved 2,83V): 90 dB
- Frekvensområde: 2 kHz – 20 kHz
- Nominel impedans: 4 ohm

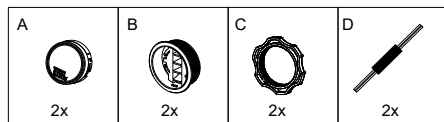
\*80W RMS: Maksimal effekt på lang sigt i henhold til IEC 60268  
40W RMS: 100 timers kontinuerlig test ved nominal effekt refererer til IEC 60268

# Stage1 192T

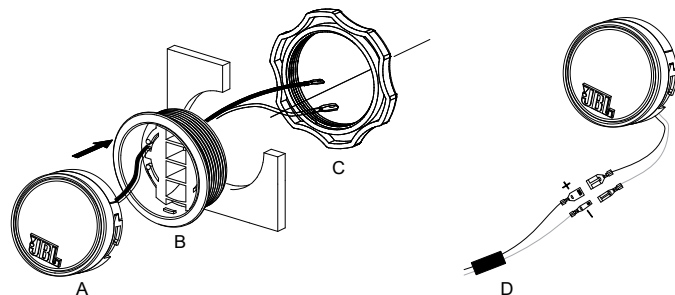
## Abmessungen



## Verpackungsinhalt



## Installation



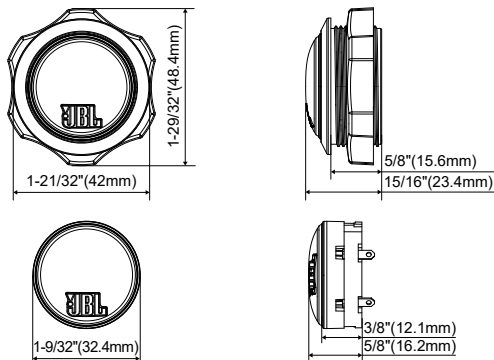
## Technische Daten

- Lautsprecher: 3/4 Zoll (19 mm)  
Kalottenhochtöner mit am Rand angetriebener Seidenmembran
- Belastbarkeit: \*80 W (eff) mit Filter, 640 W (Spitze)
- Empfindlichkeit (bei 2,83 V): 90 dB
- Frequenzgang: 2 kHz – 20 kHz
- Nennimpedanz: 4 Ohm

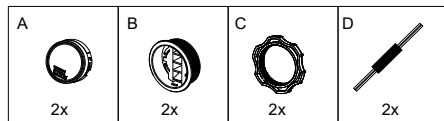
\*80W RMS: Langfristig maximale Leistung gemäß IEC 60268  
40W RMS: 100 Stunden Dauertest bei Nennleistung gemäß IEC 60268

# Stage1 192T

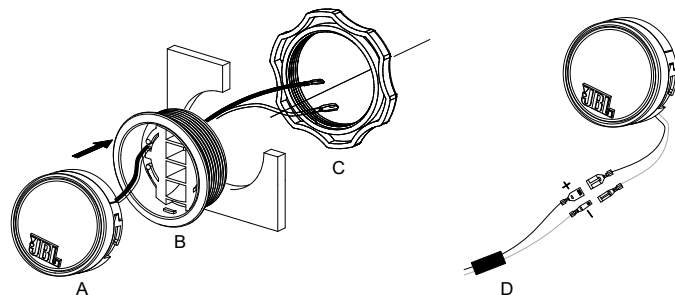
## Dimensiones



## Contenido de la caja



## Instalación



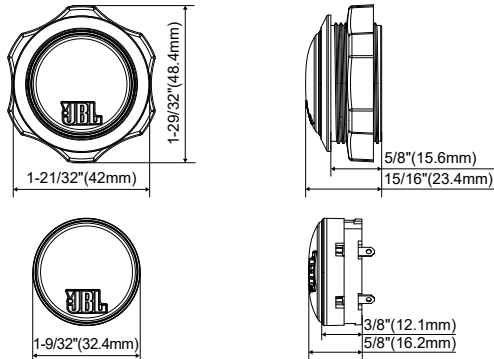
## Especificaciones

- Altavoz: Tweeter de cúpula de seda de  $3/4''$  (19 mm) redondo
- Capacidad de potencia: \*80 W RMS con filtro, 640 W pico
- Sensibilidad (2,83 V): 90 dB
- Respuesta en frecuencia: 2 kHz - 20 kHz
- Impedancia nominal: 4 ohmios

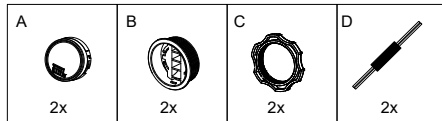
\*80W RMS: Potencia máxima a largo plazo según la normativa IEC 60268  
40W RMS: Prueba continua de 100 horas a potencia nominal según la normativa IEC 60268

# Stage1 192T

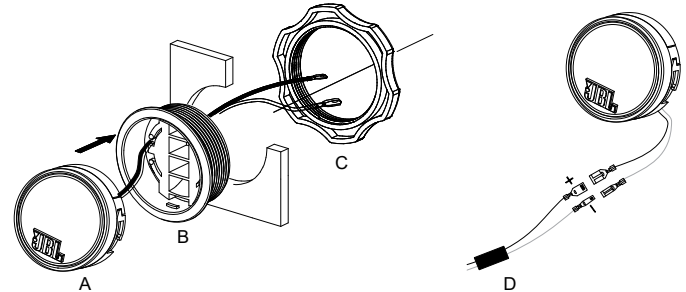
## Mitat



## Pakkauksen sisältö



## Asennus



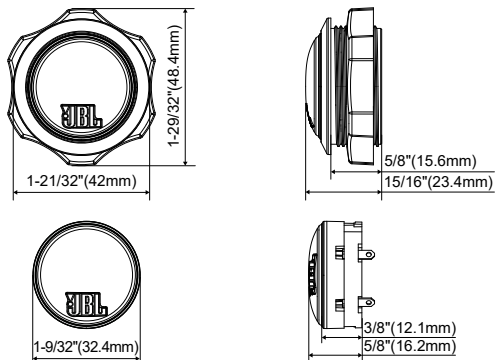
## Tekniset tiedot

- Kaiutin: 3/4" (19 mm) reunaohjattu silkikalottidiskanttikaiutin
- Tehonkesto: \*80 W RMS jakosuotimella, 640 W huippu
- Herkkyys (@2,83 V): 90dB
- Taajuusvaste: 2kHz – 20 kHz
- Nimellisimpedanssi: 4 ohmia

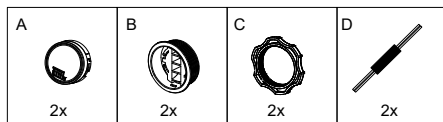
\*80W RMS: Pitkäaikainen enimmäisteho on IEC 60268:n mukainen  
40W RMS: 100h jatkuva testaus nimellisteholla viittaa standardiin IEC 60268

# Stage1 192T

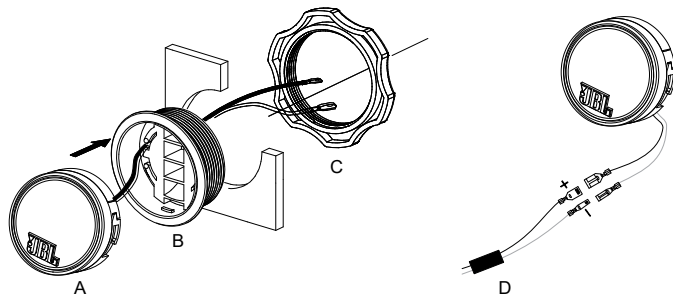
## Dimensioni



## Contenuto della confezione



## Installazione



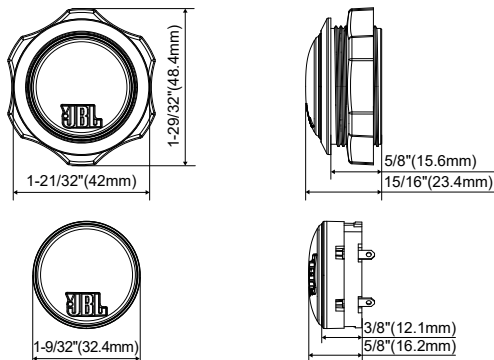
## Collegamento

- Altoparlante: Tweeter a cupola in seta edge-driven da  $3/4''$  (19 mm)
- Capacità di gestione della potenza: \*80W RMS con filtro, 640W di picco
- Sensibilità (a 2,83V): 90 dB
- Risposta in frequenza: 2kHz - 20kHz
- Impedenza nominale: 4 ohm

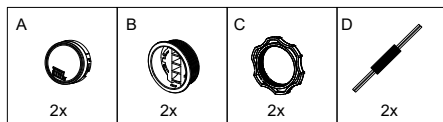
\*80W RMS: La potenza massima a lungo termine fa riferimento alla norma IEC 60268  
40W RMS: Il test continuo di 100 ore alla potenza nominale fa riferimento alla norma IEC 60268

# Stage1 192T

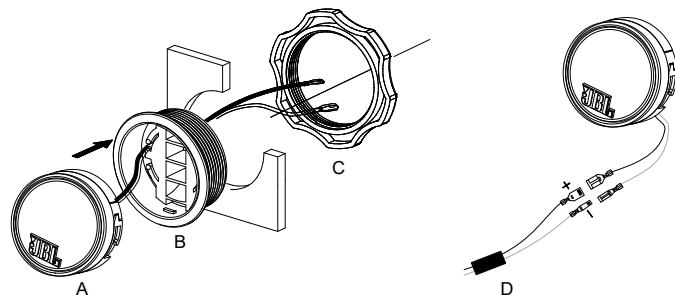
## Afmetingen



## Verpakkingsinhoud



## Verbinding



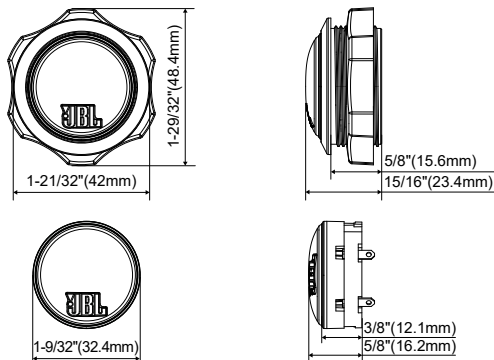
## Specificaties

- Luidspreker: 19 mm (3/4 inch) edge-driven zijden koepeltweeter
- Vermogen: \*80 W RMS met filter, 640 W piek
- Gevoeligheid (2,83 V): 90 dB
- Frequentierespons: 2 kHz – 20 kHz
- Nominale impedantie: 4 ohm

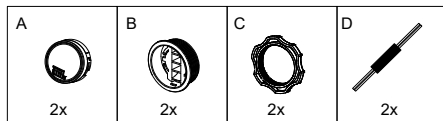
\*80W RMS: Maximaal vermogen op lange termijn zie IEC 60268  
40W RMS: 100H continu testen bij nominaal vermogen verwijst naar IEC 60268

# Stage1 192T

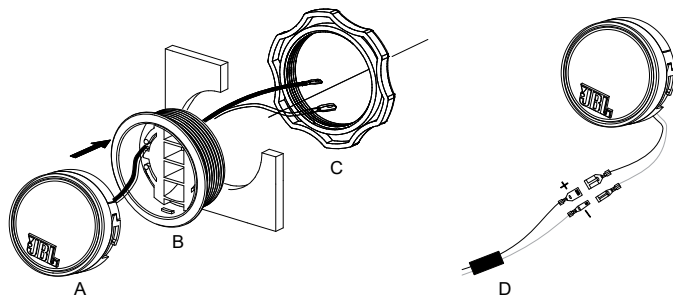
## Mål



## Eskens innhold



## Installering



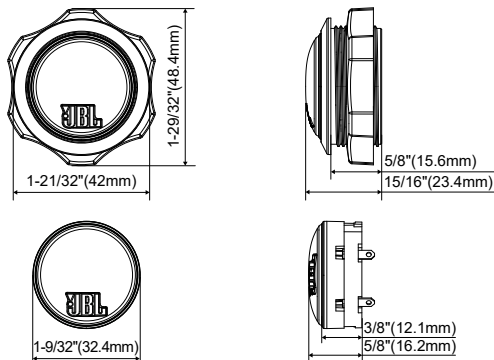
## Spesifikasjoner

- Høyttaler: 3/4" (19 mm) Nyskapende Silkedome Diskanthøyttaler
- Effekthåndtering: \*80 W RMS med filter, 640 W topp
- Følsomhet (@2,83 V): 90 dB
- Frekvensrespons: 2 kHz – 20 kHz
- Nominell impedans: 4ohms

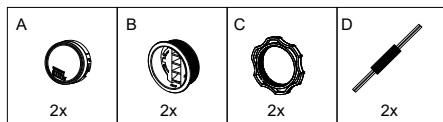
\*80W RMS: Maksimal effekt over lang tid henviser til IEC 60268  
40W RMS: 100 H kontinuerlig testing ved nominell effekt henviser til IEC 60268

# Stage1 192T

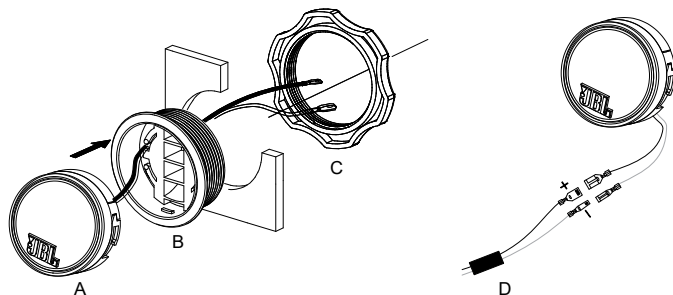
## Mått



## Vad finns i lådan



## Installation



## Specifikationer

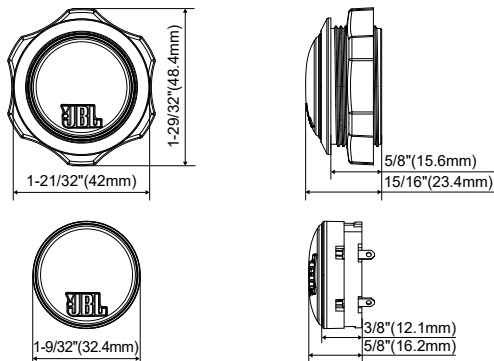
- Högtalare: 3/4-tums (19 mm) kantdriven silkesdomediskant
- Effekthantering: \*80W RMS med filter, 640 W max
- Känslighet (2,83 V): 90 dB
- Frekvensåtergivning: 2 kHz–20 kHz
- Nominell impedans: 4 ohm

\*80W RMS: Långsiktig maximal effekt enligt IEC 60268

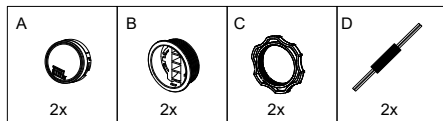
40W RMS: 100H kontinuerlig testning vid nominell effekt refererar till IEC 60268

# Stage1 192T

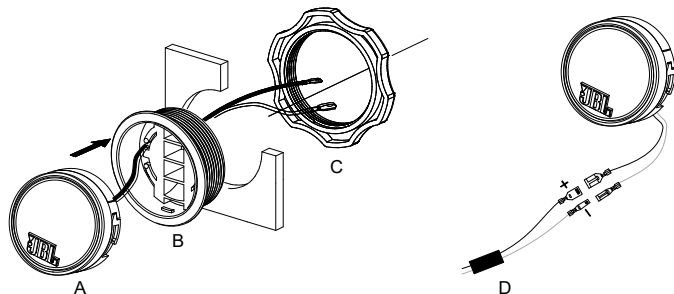
## 尺寸



## 产品清单



## 安装



## 参数规格

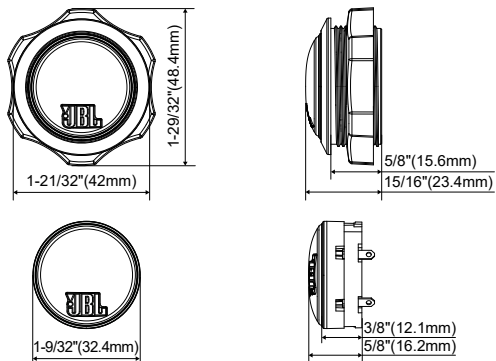
- 扬声器: 0.75" (19mm) 边缘驱动丝膜球顶高音单元
- 功率处理能力: \*配有滤波器的情况下, 80W RMS (峰值为 640W)
- 灵敏度 (@2.83V): 90dB
- 频率响应: 2kHz - 20kHz
- 标称阻抗: 4Ω

\*80W RMS: 参照 IEC 60268 标准的长期最大功率

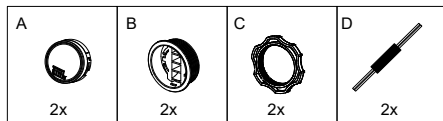
40W RMS: 参照 IEC 60268 标准, 在额定功率下连续测试 100 小时

# Stage1 192T

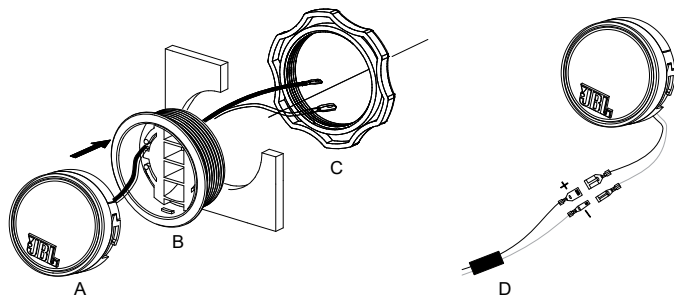
## 尺寸



## 包裝盒內物品



## 安裝



## 規格

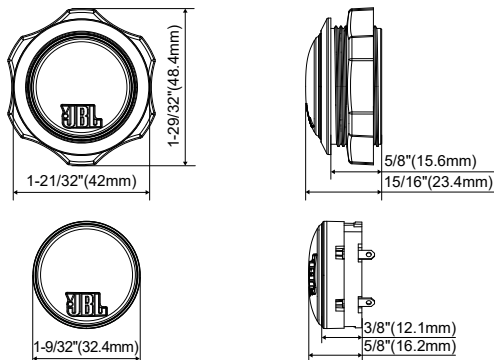
- 喇叭：3/4" (19mm) 邊緣驅動式絲質圓頂高音喇叭
- 功率處理：\*80W RMS，帶濾波器，峰值 640W
- 靈敏度 (@2.83V)：90dB
- 頻率回應：2 kHz – 20 kHz
- 標稱阻抗：4ohms

\*80W RMS: 長期最大功率，請參考 IEC 60268

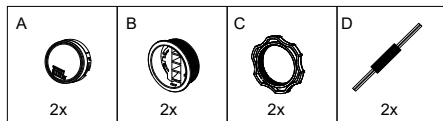
40W RMS: 於額定功率下進行 100H 持續測試，請參考 IEC 60268

# Stage1 192T

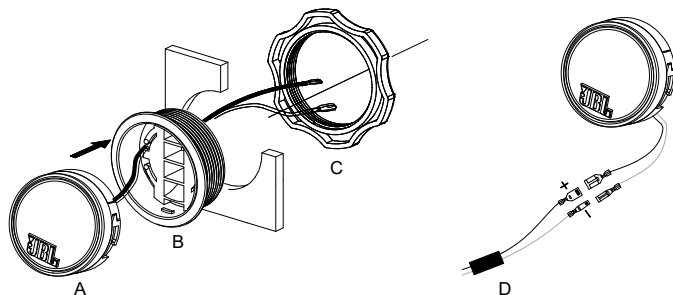
## Dimensi



## Isi kotak



## Instalasi



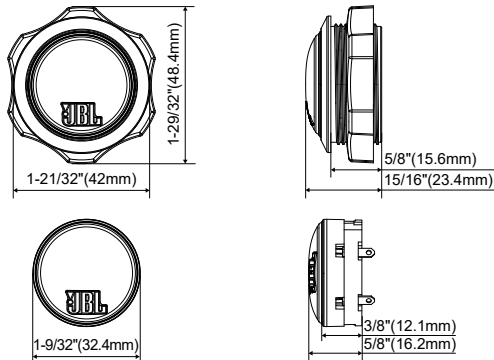
## Spesifikasi

- Speaker: Tweeter Kubah Sutra Edge-Driven  $3/4''$  (19mm)
- Penanganan Daya: \*80W RMS dengan Filter, 640W puncak
- Sensitivitas (@2,83V): 90 dB
- Respons Frekuensi: 2 kHz – 20 kHz
- Impedansi Nominal: 4 ohm

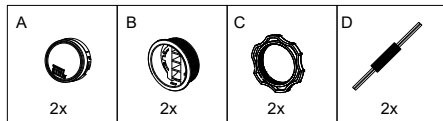
\*80W RMS: Daya maksimum jangka panjang merujuk pada IEC 60268  
40W RMS: Pengujian terus-menerus selama 100 jam pada daya terukur merujuk pada IEC 60268

# Stage1 192T

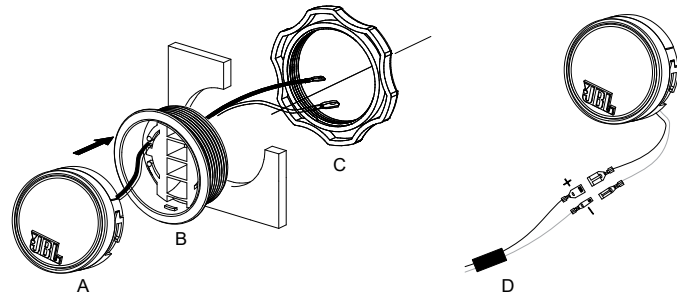
## 치수



## 구성품



## 설치



## 사양

- 스피커: 3/4인치(19mm) 엣지 구동 실 크 돔 트위터
- 파워 핸들링: \*80W RMS(필터 포함), 최대 640W
- 민감도(@2.83V): 90dB
- 주파수 응답: 2kHz~20kHz
- 공칭 임피던스: 4ohms

\*80W RMS: 장기 최대 출력은 IEC 60268을 참조합니다

40W RMS: 정격 전력에서의 100H 연속 테스트는 IEC 60268을 참조합니다



HARMAN International Industries, Incorporated,  
8500 Balboa Boulevard, Northridge, CA 91329  
USA

© 2024 HARMAN International Industries,  
Incorporated. All rights reserved.

JBL is a trademark of HARMAN International  
Industries, Incorporated, registered in the United States and/or other  
countries.

Features, specifications and appearance are subject to change without notice.

UK  
CA



**FR**  
Cet appareil,  
ses accessoires  
et cordons  
se recyclent

À DÉPOSER  
EN MAGASIN

À DÉPOSER  
EN DÉCHÈTERIE

OU

A simple line-art icon of a storefront with a canopy and a door.A line-art icon of a person's hand dropping a piece of trash into a bin.

Points de collecte sur [www.quefairedemesdechets.fr](http://www.quefairedemesdechets.fr)